

## 0.5-A, 42-V Input, Step-Down SWIFT™ Converter

Check for Samples: [TPS5401](#)

### FEATURES

- 3.5-V to 42-V Input Voltage Range
- 200-mΩ High-Side MOSFET
- High Efficiency at Light Loads With a Pulse-Skipping Eco-mode™ Control Scheme
- 116-μA Operating Quiescent Current
- 1.3-μA Shutdown Current
- 100-kHz to 2.5-MHz Switching Frequency
- Synchronizes to External Clock
- Adjustable Slow Start/Sequencing
- UV and OV Power-Good Output
- Adjustable UVLO Voltage and Hysteresis

- 0.8-V ±3.5% Internal Voltage Reference
- MSOP10 With PowerPAD™ Package
- Supported by SwitcherPro™ Software Tool (<http://focus.ti.com/docs/toolsw/folders/print/switcherpro.html>)
- For SWIFT™ Power Products Documentation, See the TI Web Site at <http://www.ti.com/swift>

### APPLICATIONS

- 12-V and 24-V Industrial and Commercial Low-Power Systems
- E-Meters

### DESCRIPTION

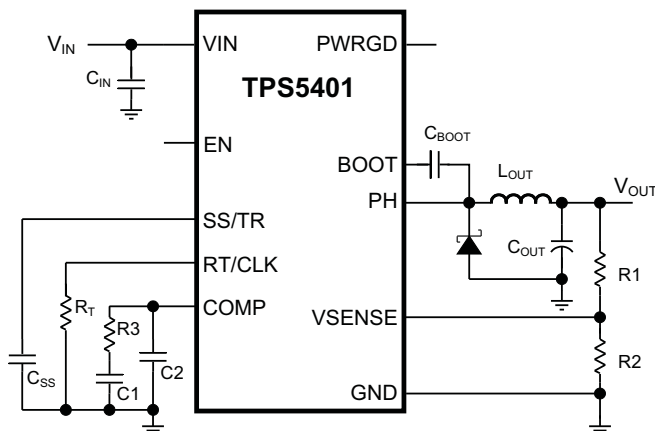
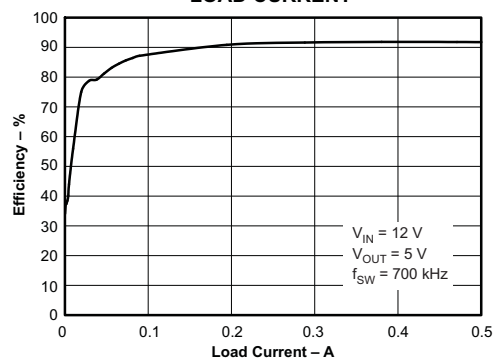
The TPS5401 device is a 42-V, 0.5-A, step-down regulator with an integrated high-side MOSFET. Current-mode control provides simple external compensation and flexible component selection. A low-ripple pulse-skip mode reduces the supply current to 116 μA when outputting regulated voltage with no load. Using the enable pin, shutdown supply current is reduced to 1.3 μA when the enable pin is low.

Undervoltage lockout is internally set at 2.5 V, but can be increased using the enable pin. The output voltage start-up ramp is controlled by the slow-start pin that can also be configured for sequencing/tracking. An open-drain power-good signal indicates the output is within 94% to 107% of its nominal voltage.

A wide switching-frequency range allows efficiency and external component size optimization. Frequency foldback and thermal shutdown protect the part during an overload condition.

The TPS5401 is available in a 10-pin thermally enhanced MSOP PowerPAD package.

SIMPLIFIED SCHEMATIC


EFFICIENCY  
VS  
LOAD CURRENT


Please be aware that an important notice concerning availability, standard warranty, and use in critical applications of Texas Instruments semiconductor products and disclaimers thereto appears at the end of this data sheet.

Eco-mode, PowerPAD, SwitcherPro, SWIFT are trademarks of Texas Instruments.



This integrated circuit can be damaged by ESD. Texas Instruments recommends that all integrated circuits be handled with appropriate precautions. Failure to observe proper handling and installation procedures can cause damage.

ESD damage can range from subtle performance degradation to complete device failure. Precision integrated circuits may be more susceptible to damage because very small parametric changes could cause the device not to meet its published specifications.

**Table 1. ORDERING INFORMATION<sup>(1)</sup>**

| T <sub>J</sub> | PACKAGE     | PART NUMBER <sup>(2)</sup> |
|----------------|-------------|----------------------------|
| –40°C to 150°C | 10-pin MSOP | TPS5401DGQ                 |

(1) For the most-current package and ordering information, see the Package Option Addendum at the end of this document, or see the TI Web site at [www.ti.com](http://www.ti.com).

(2) The DGQ package is also available taped and reeled. Add an R suffix to the device type (i.e., TPS5401DGQR).

## ABSOLUTE MAXIMUM RATINGS<sup>(1)</sup>

Over operating temperature range (unless otherwise noted).

|   |                     | VALUE         |      | UNIT |
|---|---------------------|---------------|------|------|
|   |                     | MIN           | MAX  |      |
| Input voltage   | VIN                 | –0.3          | 47   | V    |
|   | EN                  | –0.3          | 5    |      |
|   | BOOT                |               | 55   |      |
|   | VSENSE              | –0.3          | 3    |      |
|   | COMP                | –0.3          | 3    |      |
|   | PWRGD               | –0.3          | 6    |      |
|   | SS/TR               | –0.3          | 3    |      |
|   | RT/CLK              | –0.3          | 3.6  |      |
| Output voltage  | BOOT – PH           |               | 8    | V    |
|   | PH                  | –0.6          | 47   |      |
|   | PH, 10-ns transient | –2            | 47   |      |
| Voltage difference  | Thermal pad to GND  |               | ±200 | mV   |
| Source current  | EN                  |               | 100  | μA   |
|   | BOOT                |               | 100  | mA   |
|   | VSENSE              |               | 10   | μA   |
|   | PH                  | Current limit |      | A    |
|   | RT/CLK              |               | 100  | μA   |
| Sink current  | VIN                 | Current limit |      | A    |
|   | COMP                |               | 100  | μA   |
|   | PWRGD               |               | 10   | mA   |
|   | SS/TR               |               | 200  | μA   |
| Electrostatic discharge (HBM) QSS 009-105 (JESD22-A114A)    |                     |               | 1    | kV   |
| Electrostatic discharge (CDM) QSS 009-147 (JESD22-C101B.01) |                     |               | 500  | V    |
| Operating junction temperature                              |                     | –40           | 150  | °C   |
| Storage temperature   |                     | –65           | 150  | °C   |

(1) Stresses beyond those listed under *Absolute Maximum Ratings* may cause permanent damage to the device. These are stress ratings only, and functional operation of the device at these or any other conditions beyond those indicated under *Recommended Operating Conditions* is not implied. Exposure to absolute-maximum-rated conditions for extended periods may affect device reliability.

## THERMAL INFORMATION

| THERMAL METRIC <sup>(1)</sup> |  | TPS5401        | UNIT |
|-------------------------------|--|----------------|------|
|                               |  | MSOP (10 PINS) |      |
| θ <sub>JA</sub>               | Junction-to-ambient thermal resistance   | 68             | °C/W |
| θ <sub>JC(top)</sub>          | Junction-to-case(top) thermal resistance | 63.3           | °C/W |

(1) For more information about traditional and new thermal metrics, see the *IC Package Thermal Metrics* application report, [SPRA953](http://www.ti.com/lit/zip/spr9953).

**THERMAL INFORMATION (continued)**

| THERMAL METRIC <sup>(1)</sup> |  | TPS5401        | UNIT |
|-------------------------------|--|----------------|------|
|                               |  | MSOP (10 PINS) |      |
| $\theta_{JB}$                 | Junction-to-board thermal resistance         | 44.6           | °C/W |
| $\psi_{JT}$                   | Junction-to-top characterization parameter   | 1.4            | °C/W |
| $\psi_{JB}$                   | Junction-to-board characterization parameter | 22.8           | °C/W |
| $\theta_{JC(bottom)}$         | Junction-to-case(bottom) thermal resistance  | 25.6           | °C/W |

**ELECTRICAL CHARACTERISTICS**
 $T_J = -40^{\circ}\text{C}$  to  $150^{\circ}\text{C}$ ,  $V_{IN} = 3.5\text{ V}$  to  $42\text{ V}$  (unless otherwise noted)

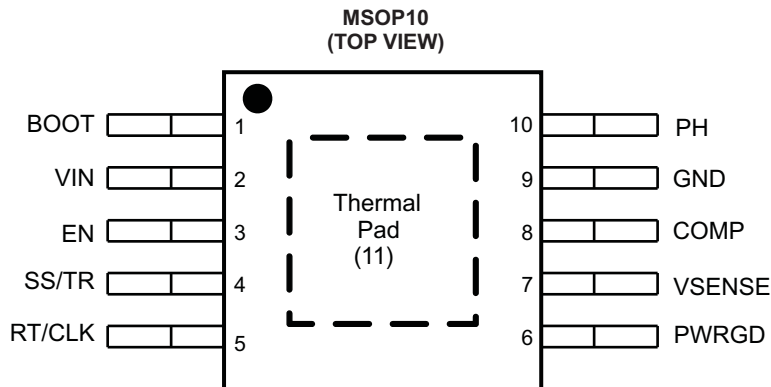
| PARAMETER                       |  | TEST CONDITIONS   | MIN   | TYP     | MAX   | UNIT             |
|---------------------------------|--|---|-------|---------|-------|------------------|
| <b>SUPPLY VOLTAGE (VIN PIN)</b> |  |   |       |         |       |                  |
| $V_{IN}$                        | Operating input voltage                            |   | 3.5   |         | 42    | V                |
|                                 | Internal undervoltage lockout threshold            | No voltage hysteresis, rising and falling   |       | 2.5     |       | V                |
|                                 | Shutdown supply current                            | $V_{EN} = 0\text{ V}$   |       | 1.3     | 4     | $\mu\text{A}$    |
|                                 | Operating: nonswitching supply current             | $V_{VSENSE} = 0.83\text{ V}$ , $V_{IN} = 12\text{ V}$ , $25^{\circ}\text{C}$                          |       | 116     | 136   |                  |
| <b>ENABLE AND UVLO (EN PIN)</b> |  |   |       |         |       |                  |
|                                 | Enable threshold voltage                           | No voltage hysteresis, rising and falling, $25^{\circ}\text{C}$                                       | 0.9   | 1.25    | 1.55  | V                |
|                                 | Input current                                      | Enable threshold 50 mV  |       | -3.8    |       | $\mu\text{A}$    |
|                                 |  | Enable threshold -50 mV   |       | -0.9    |       |                  |
|                                 | Hysteresis current                                 |   |       | -2.9    |       | $\mu\text{A}$    |
| <b>VOLTAGE REFERENCE</b>        |  |   |       |         |       |                  |
| $V_{ref}$                       | Voltage reference                                  |   | 0.772 | 0.8     | 0.828 | V                |
| <b>HIGH-SIDE MOSFET</b>         |  |   |       |         |       |                  |
|                                 | On-resistance                                      | $V_{IN} = 3.5\text{ V}$ , $V_{BOOT} - V_{PH} = 3\text{ V}$  |       | 300     |       | $\text{m}\Omega$ |
|                                 |  | $V_{IN} = 12\text{ V}$ , $V_{BOOT} - V_{PH} = 6\text{ V}$   |       | 200     | 410   |                  |
| <b>ERROR AMPLIFIER</b>          |  |   |       |         |       |                  |
|                                 | Input current                                      |   |       | 50      |       | nA               |
| $g_{mEA}$                       | Error amplifier transconductance                   | $-2\ \mu\text{A} < I_{COMP} < 2\ \mu\text{A}$ , $V_{COMP} = 1\text{ V}$                               |       | 97      |       | $\mu\text{Mhos}$ |
|                                 | Error amplifier transconductance during slow-start | $-2\ \mu\text{A} < I_{COMP} < 2\ \mu\text{A}$ , $V_{COMP} = 1\text{ V}$ , $V_{VSENSE} = 0.4\text{ V}$ |       | 26      |       | $\mu\text{Mhos}$ |
|                                 | Error amplifier dc gain                            | $V_{VSENSE} = 0.8\text{ V}$   |       | 10,000  |       | V/V              |
|                                 | Error amplifier bandwidth                          |   |       | 2700    |       | kHz              |
|                                 | Error amplifier source/sink                        | $V_{COMP} = 1\text{ V}$ , 100 mV overdrive  |       | $\pm 7$ |       | $\mu\text{A}$    |
| $g_{mPS}$                       | COMP to switch current transconductance            |   |       | 1.9     |       | A/V              |
| <b>CURRENT LIMIT</b>            |  |   |       |         |       |                  |
|                                 | Current limit threshold                            | $V_{IN} = 12\text{ V}$ , $T_J = 25^{\circ}\text{C}$   | 0.6   | 0.94    |       | A                |
| <b>THERMAL SHUTDOWN</b>         |  |   |       |         |       |                  |
|                                 | Thermal shutdown                                   |   |       | 182     |       | °C               |

**ELECTRICAL CHARACTERISTICS (continued)**
 $T_J = -40^{\circ}\text{C}$  to  $150^{\circ}\text{C}$ ,  $V_{IN} = 3.5\text{ V}$  to  $42\text{ V}$  (unless otherwise noted)

| PARAMETER  |  | TEST CONDITIONS  | MIN | TYP  | MAX  | UNIT          |
|--|--|--|-----|------|------|---------------|
| <b>TIMING RESISTOR AND EXTERNAL CLOCK (RT/CLK PIN)</b> |  |  |     |      |      |               |
|  | Switching-frequency range using RT mode                                    |  | 100 |      | 2500 | kHz           |
| $f_{SW}$   | Switching frequency  | $R_T = 200\text{ k}\Omega$                             | 450 | 581  | 720  | kHz           |
|  | Switching-frequency range using CLK mode                                   |  | 300 |      | 2200 | kHz           |
|  | Minimum CLK input pulse width  |  |     | 40   |      | ns            |
|  | RT/CLK high threshold  |  |     | 1.9  | 2.2  | V             |
|  | RT/CLK low threshold   |  | 0.5 | 0.7  |      | V             |
|  | RT/CLK falling edge to PH rising edge delay                                | Measured at 500 kHz with $R_T$ resistor in series      |     | 60   |      | ns            |
|  | PLL lock-in time   | Measured at 500 kHz                                    |     | 100  |      | $\mu\text{s}$ |
| <b>SLOW-START AND TRACKING (SS/TR PIN)</b>             |  |  |     |      |      |               |
|  | Charge current   | $V_{SS/TR} = 0.4\text{ V}$                             |     | 2    |      | $\mu\text{A}$ |
|  | SS/TR-to-VSENSE matching   | $V_{SS/TR} = 0.4\text{ V}$                             |     | 45   |      | mV            |
|  | SS/TR-to-reference crossover   | 98% nominal  |     | 1    |      | V             |
|  | SS/TR discharge current (overload)   | $V_{VSENSE} = 0\text{ V}$ , $V_{SS/TR} = 0.4\text{ V}$ |     | 112  |      | $\mu\text{A}$ |
|  | SS/TR discharge voltage  | $V_{VSENSE} = 0\text{ V}$                              |     | 54   |      | mV            |
| <b>POWER GOOD (PWRGD PIN)</b>                          |  |  |     |      |      |               |
| VSENSE low threshold                                   | $V_{VSENSE}$ falling   |  |     | 92%  |      | $V_{ref}$     |
|  | $V_{VSENSE}$ rising  |  |     | 94%  |      |               |
| VSENSE high threshold                                  | $V_{VSENSE}$ rising  |  |     | 109% |      | $V_{ref}$     |
|  | $V_{VSENSE}$ falling   |  |     | 107% |      |               |
| Hysteresis   | $V_{VSENSE}$ falling   |  |     | 2%   |      |               |
| Output-high leakage                                    | $V_{VSENSE} = V_{ref}$ , $V_{PWRGD} = 5.5\text{ V}$ , $25^{\circ}\text{C}$ |  |     | 10   |      | nA            |
| On-resistance  | $I_{PWRGD} = 3\text{ mA}$ , $V_{VSENSE} < 0.77\text{ V}$                   |  |     | 50   |      | $\Omega$      |
| Minimum $V_{IN}$ for defined output                    | $V_{PWRGD} < 0.5\text{ V}$ , $I_{PWRGD} = 100\text{ }\mu\text{A}$          |  |     | 0.95 | 1.5  | V             |

DEVICE INFORMATION

PIN CONFIGURATION



PIN FUNCTIONS

| PIN         |      | I/O | DESCRIPTION   |
|-------------|------|-----|---|
| NAME        | NO.  |     |   |
| BOOT        | 1    | O   | A bootstrap capacitor is required between BOOT and PH. If the voltage on this capacitor is below the minimum required by the output device, the output is forced to switch off until the capacitor is refreshed.  |
| COMP        | 8    | O   | Error amplifier output, and input to the output switch current comparator. Connect frequency compensation components to this pin.   |
| EN          | 3    | I   | Enable pin, internal pullup current source. Pull below 1.2 V to disable. Float to enable. Adjust the input undervoltage lockout with two resistors.   |
| GND         | 9    | –   | Ground  |
| PH          | 10   | I   | The source of the internal high-side power MOSFET   |
| PWRGD       | 6    | O   | An open-drain output; asserts low if output voltage is low due to thermal shutdown, dropout, overvoltage or EN shutdown.  |
| RT/CLK      | 5    | I   | Resistor timing and external clock. An internal amplifier holds this pin at a fixed voltage when using an external resistor to ground to set the switching frequency. If the pin is pulled above the PLL upper threshold, a mode change occurs and the pin becomes a synchronization input. The internal amplifier is disabled and the pin is a high-impedance clock input to the internal PLL. If clocking edges stop, the internal amplifier is re-enabled and the mode returns to a resistor-set function. |
| SS/TR       | 4    | I   | Slow-start and tracking. An external capacitor connected to this pin sets the output rise time. Because the voltage on this pin overrides the internal reference, it can be used for tracking and sequencing.   |
| Thermal pad | (11) | –   | GND pin must be electrically connected to the thermal pad on the printed circuit board for proper operation.  |
| VIN         | 2    | I   | Input supply voltage, 3.5 V to 42 V.  |
| VSENSE      | 7    | I   | Inverting node of the transconductance (gm) error amplifier.  |



TYPICAL CHARACTERISTICS

ON-RESISTANCE vs JUNCTION TEMPERATURE

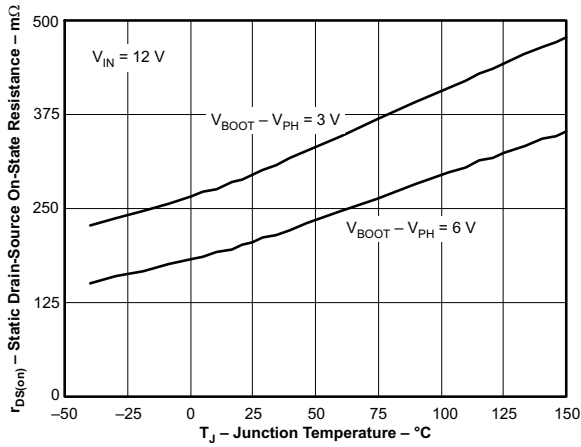


Figure 1.

VOLTAGE REFERENCE vs JUNCTION TEMPERATURE

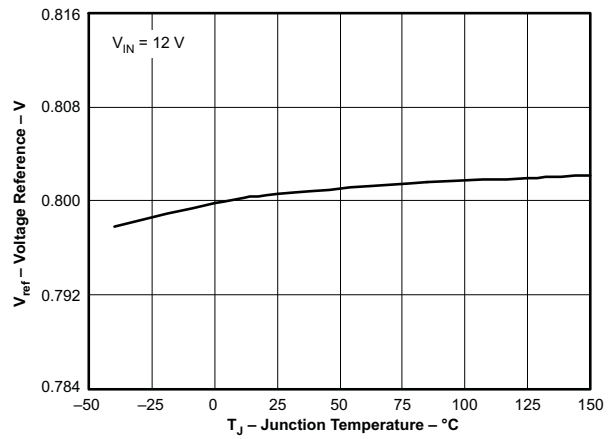


Figure 2.

SWITCH-CURRENT LIMIT vs JUNCTION TEMPERATURE

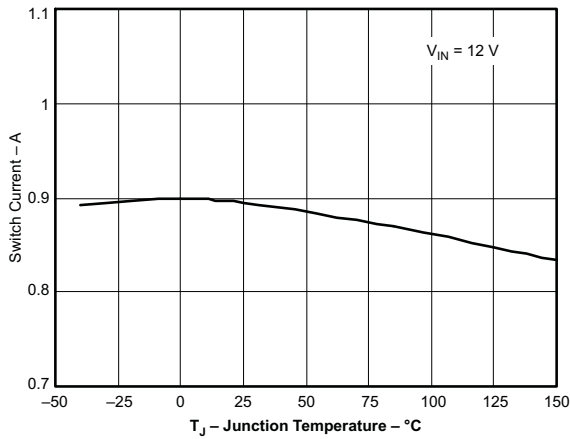


Figure 3.

SWITCHING FREQUENCY vs JUNCTION TEMPERATURE

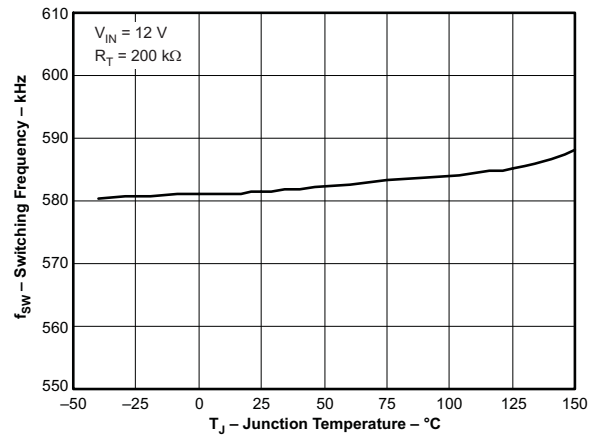


Figure 4.

SWITCHING FREQUENCY vs RT/CLK RESISTANCE HIGH-FREQUENCY RANGE

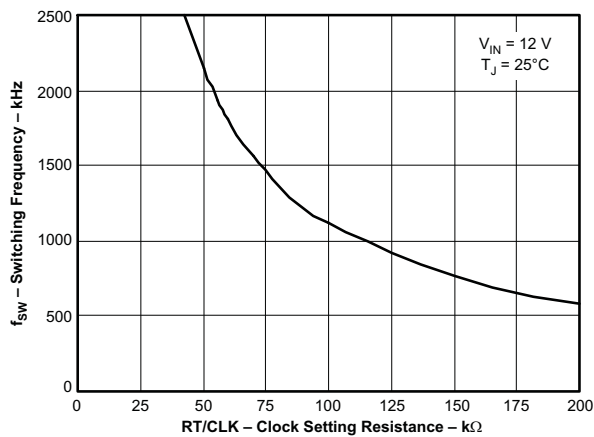


Figure 5.

SWITCHING FREQUENCY vs RT/CLK RESISTANCE LOW-FREQUENCY RANGE

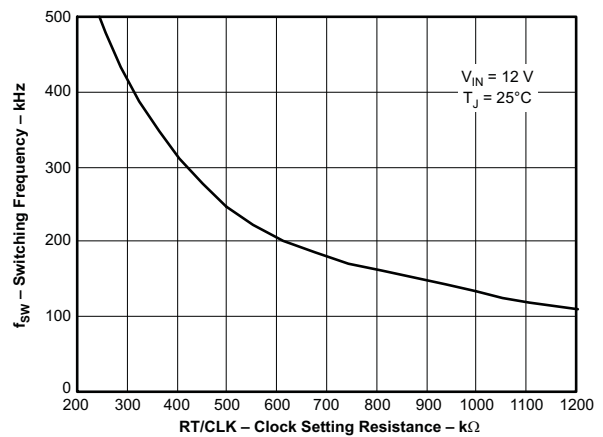


Figure 6.

**TYPICAL CHARACTERISTICS (continued)**

**EA TRANSCONDUCTANCE DURING SLOW-START vs JUNCTION TEMPERATURE**

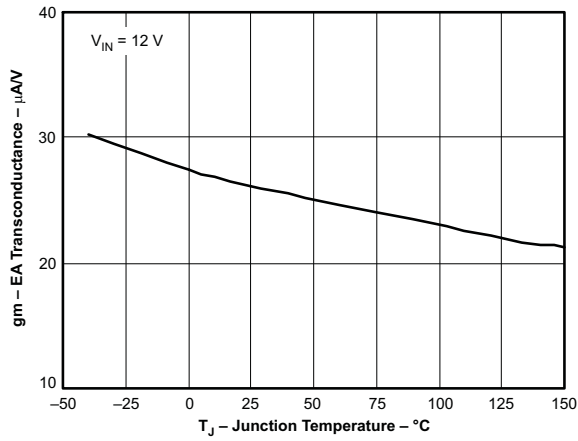


Figure 7.

**EA TRANSCONDUCTANCE vs JUNCTION TEMPERATURE**

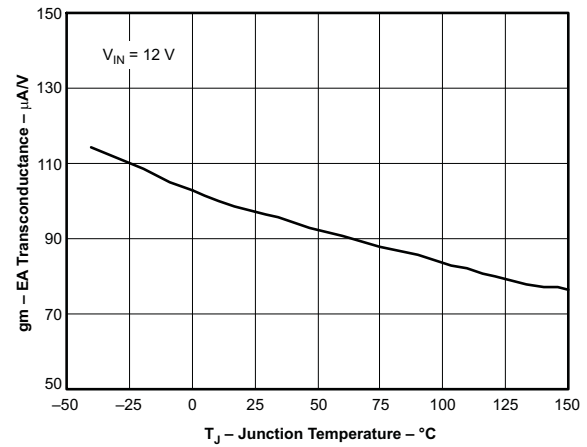


Figure 8.

**ENABLE THRESHOLD VOLTAGE vs JUNCTION TEMPERATURE**

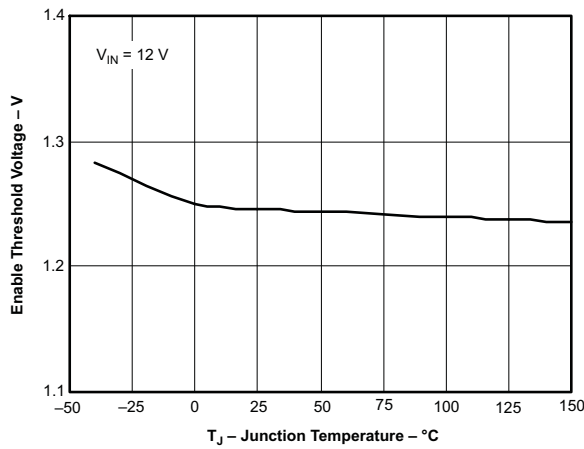


Figure 9.

**EN PIN CURRENT vs JUNCTION TEMPERATURE**

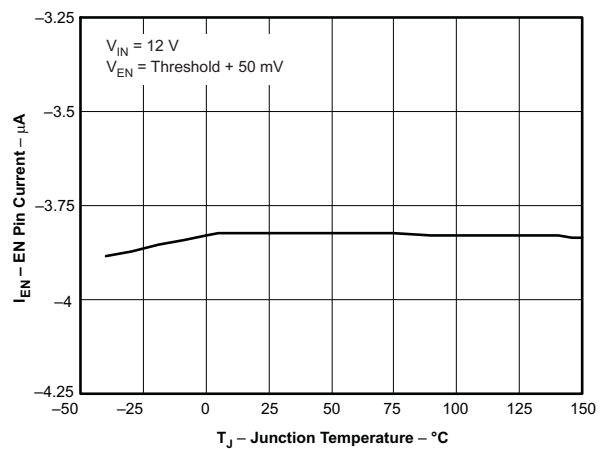


Figure 10.

**EN PIN CURRENT vs JUNCTION TEMPERATURE**

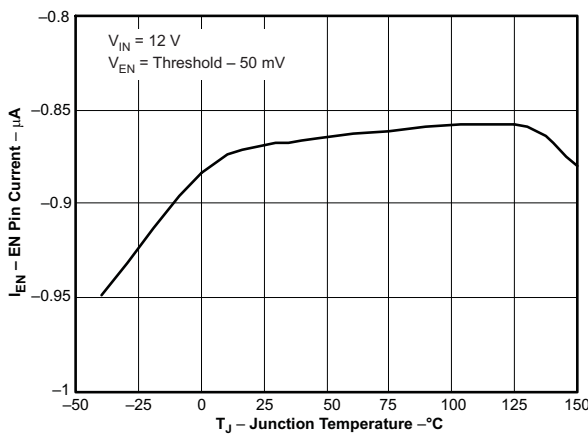


Figure 11.

**SS/TR CHARGE CURRENT vs JUNCTION TEMPERATURE**

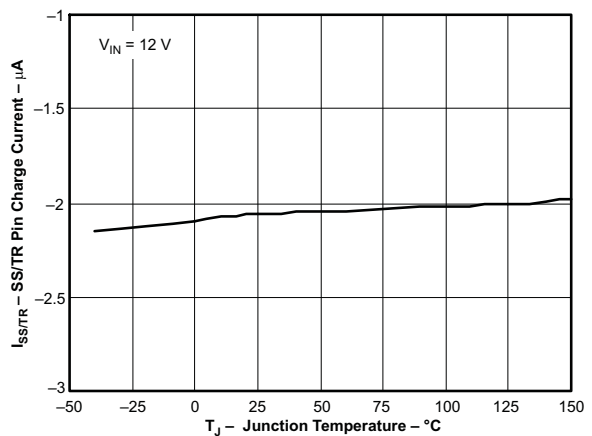


Figure 12.

TYPICAL CHARACTERISTICS (continued)

SS/TR DISCHARGE CURRENT vs JUNCTION TEMPERATURE

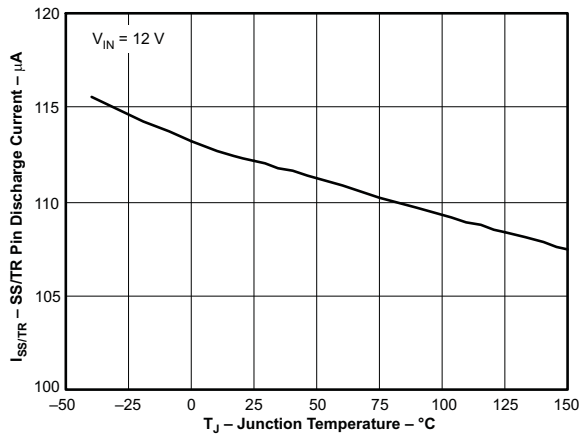


Figure 13.

SWITCHING FREQUENCY vs VSENSE

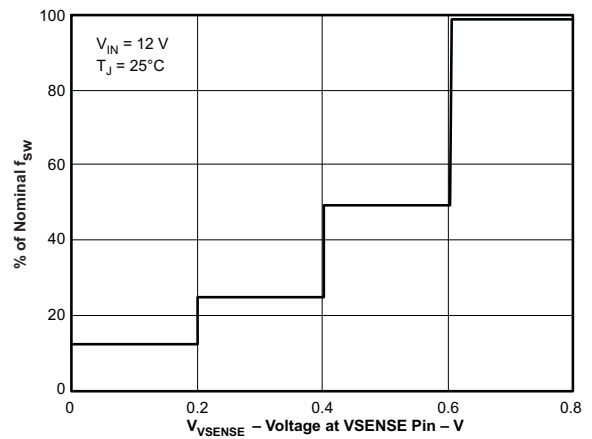


Figure 14.

SHUTDOWN SUPPLY CURRENT vs JUNCTION TEMPERATURE

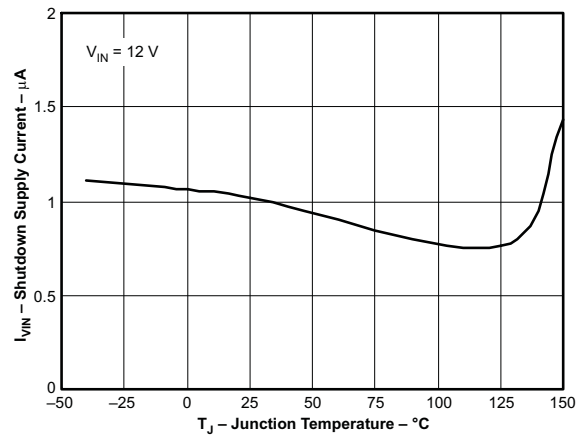


Figure 15.

SHUTDOWN SUPPLY CURRENT vs INPUT VOLTAGE

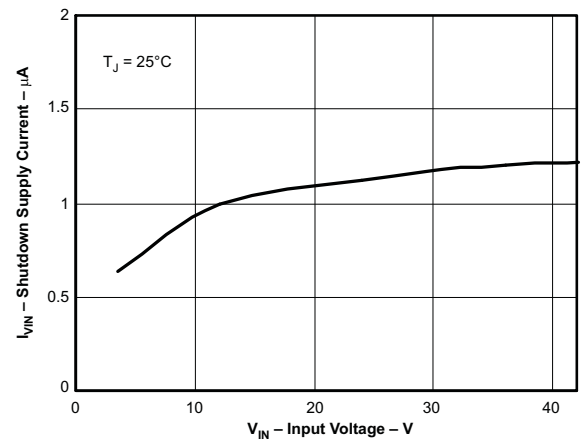


Figure 16.

VIN SUPPLY CURRENT vs JUNCTION TEMPERATURE

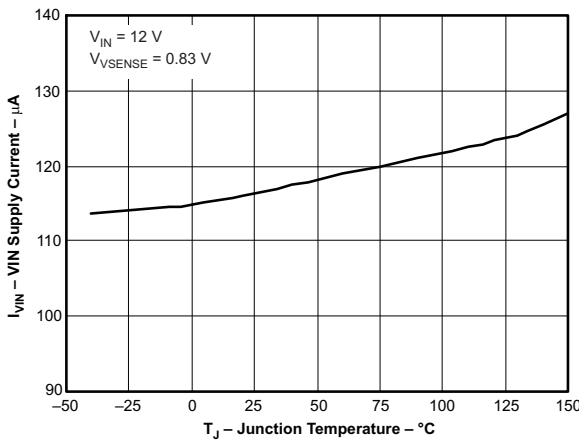


Figure 17.

VIN SUPPLY CURRENT vs INPUT VOLTAGE

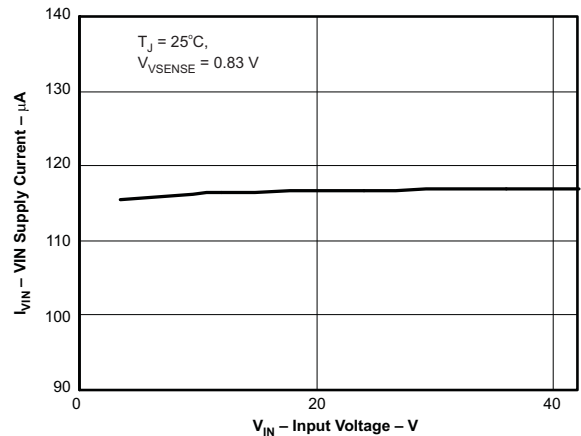


Figure 18.

TYPICAL CHARACTERISTICS (continued)

PWRGD ON-RESISTANCE vs JUNCTION TEMPERATURE

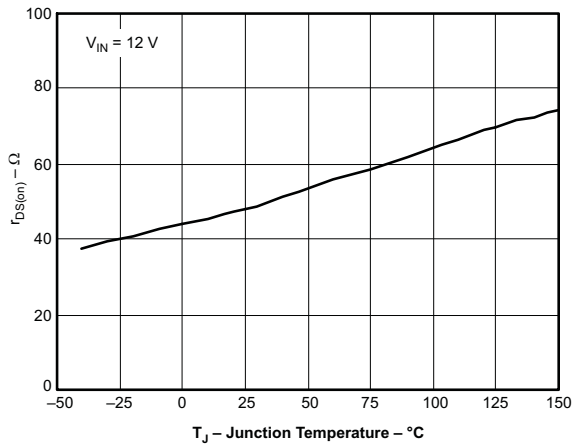


Figure 19.

PWRGD THRESHOLD vs JUNCTION TEMPERATURE

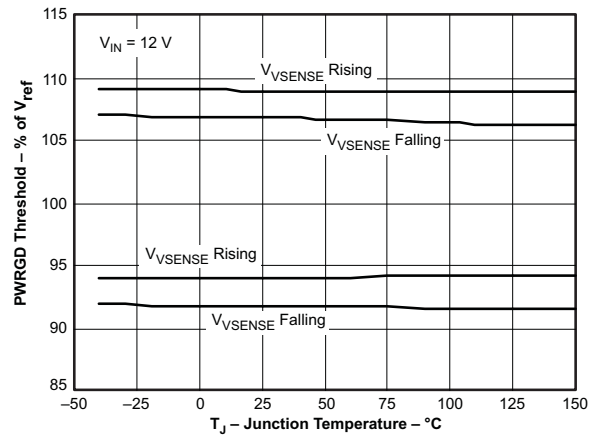


Figure 20.

BOOT to PH UVLO THRESHOLD vs JUNCTION TEMPERATURE

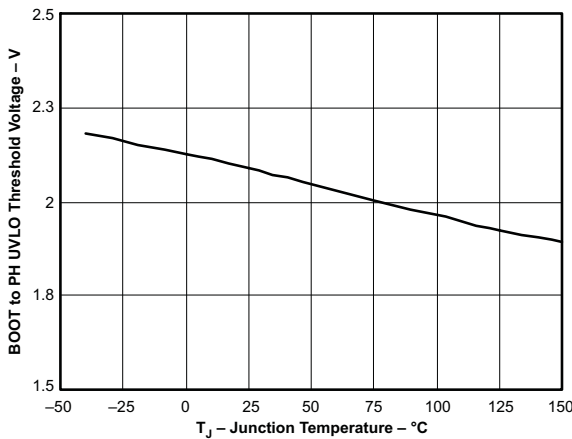


Figure 21.

INPUT VOLTAGE UVLO vs JUNCTION TEMPERATURE

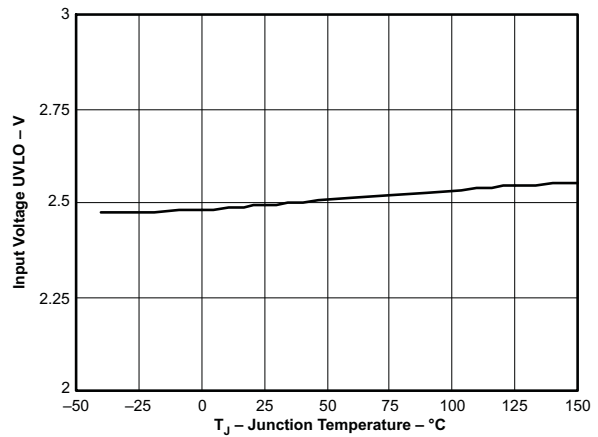


Figure 22.

SS/TR TO VSENSE OFFSET vs VSENSE VOLTAGE

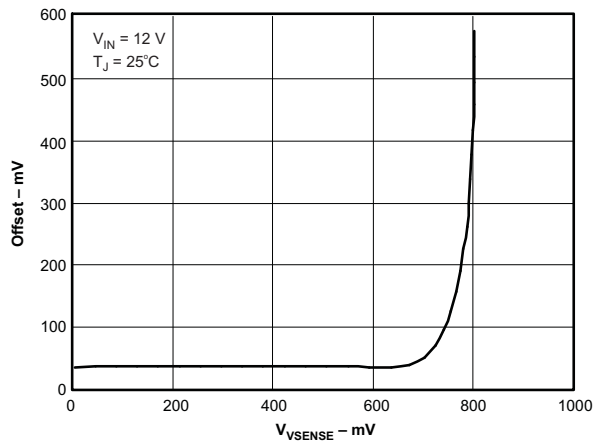


Figure 23.

SS/TR TO VSENSE OFFSET vs TEMPERATURE

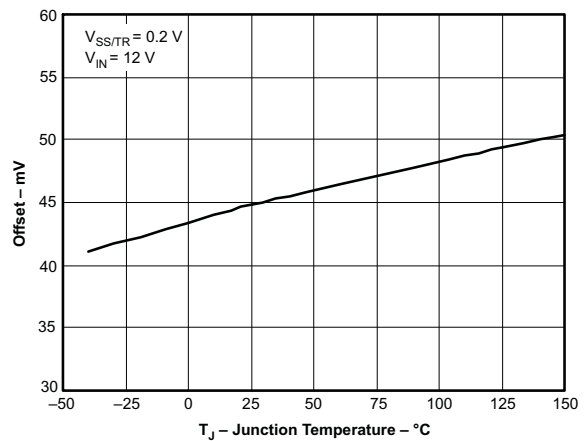


Figure 24.

## OVERVIEW

The TPS5401 device is a 42-V, 0.5-A, step-down (buck) regulator with an integrated high-side n-channel MOSFET. To improve performance during line and load transients, the device implements a constant-frequency, current-mode control which reduces output capacitance and simplifies external frequency compensation design. The wide switching-frequency range of 100 kHz to 2500 kHz allows for efficiency and size optimization when selecting the output filter components. The switching frequency is adjusted using a resistor to ground on the RT/CLK pin. The device has an internal phase-lock loop (PLL) on the RT/CLK pin that is used to synchronize the power-switch turnon to a falling edge of an external system clock.

The TPS5401 has a default start-up voltage of approximately 2.5 V. The EN pin has an internal pullup current source that can be used to adjust the input voltage undervoltage lockout (UVLO) threshold with two external resistors. In addition, the pullup current provides a default condition. When the EN pin is floating, the device operates. The operating current is 116  $\mu$ A when not switching and under no load. When the device is disabled, the supply current is 1.3  $\mu$ A.

The integrated 200-m $\Omega$  high-side MOSFET allows for high-efficiency power-supply designs capable of delivering 0.5 amperes of continuous current to a load. The TPS5401 reduces the external component count by integrating the boot recharge diode. The bias voltage for the integrated high-side MOSFET is supplied by a capacitor from the BOOT pin to the PH pin. The boot capacitor voltage is monitored by a UVLO circuit and turns the high-side MOSFET off when the boot voltage falls below a preset threshold. The TPS5401 can operate at high duty cycles because of the boot UVLO. The output voltage can be stepped down to as low as the 0.8-V reference.

The TPS5401 has a power-good comparator (PWRGD) which asserts when the regulated output voltage is less than 92% or greater than 109% of the nominal output voltage. The PWRGD pin is an open-drain output which deasserts when the VSENSE pin voltage is between 94% and 107% of the nominal output voltage, allowing the pin to transition high when a pullup resistor is used.

The TPS5401 minimizes excessive output overvoltage (OV) transients by taking advantage of the OV power-good comparator. When the OV comparator is activated, the high-side MOSFET is turned off and masked from turning on until the output voltage is lower than 107%.

The SS/TR (slow-start/tracking) pin is used to minimize inrush currents or provide power-supply sequencing during power up. A small-value capacitor should be coupled to the pin to adjust the slow-start time. A resistor divider can be coupled to the pin for critical power-supply sequencing requirements. The SS/TR pin is discharged before the output powers up. This discharging ensures a repeatable restart after an overtemperature fault, UVLO fault, or a disabled condition.

The TPS5401 also discharges the slow-start capacitor during overload conditions with an overload recovery circuit. The overload recovery circuit slow-starts the output from the fault voltage to the nominal regulation voltage once a fault condition is removed. A frequency-foldback circuit reduces the switching frequency during start-up and overcurrent fault conditions to help control the inductor current.

## DETAILED DESCRIPTION

### Fixed Frequency PWM Control

The TPS5401 uses an adjustable fixed-frequency, peak current mode control. The output voltage is compared through external resistors on the VSENSE pin to an internal voltage reference by an error amplifier which drives the COMP pin. An internal oscillator initiates the turnon of the high-side power switch. The error amplifier output is compared to the high-side power-switch current. When the power-switch current reaches the level set by the COMP voltage, the power switch is turned off. The COMP pin voltage increases and decreases as the output current increases and decreases. The device implements a current limit by clamping the COMP pin voltage to a maximum level. The Eco-mode control scheme is implemented with a minimum clamp on the COMP pin.

### Slope Compensation Output Current

The TPS5401 adds a compensating ramp to the switch current signal. This slope compensation prevents sub-harmonic oscillations. The available peak inductor current remains constant over the full duty-cycle range.

### Pulse-Skip Eco-mode Control Scheme

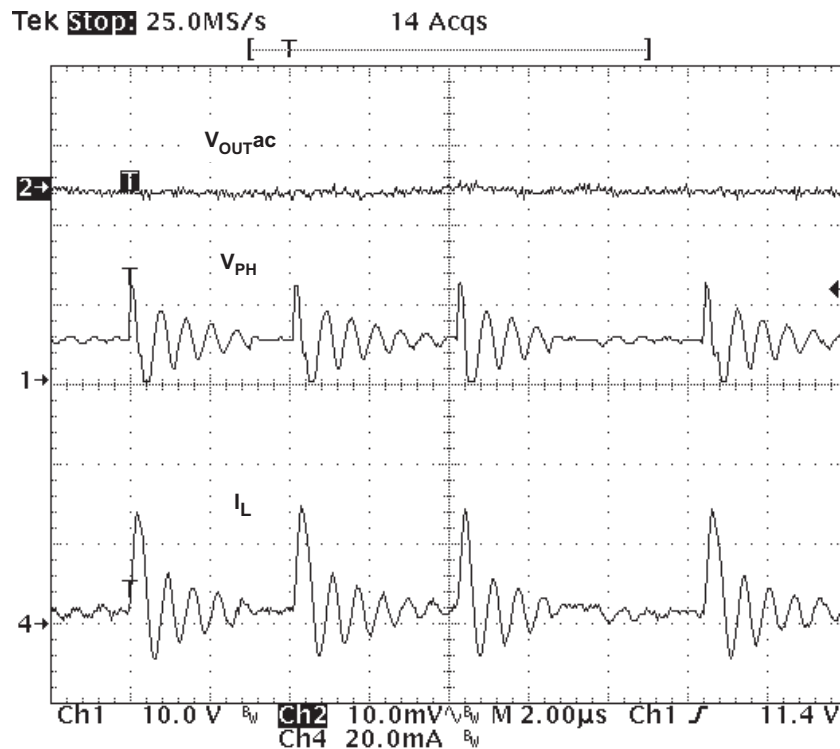
The TPS5401 operates in a pulse-skip Eco-mode control scheme at light load currents to improve efficiency by reducing switching and gate-drive losses. The TPS5401 is designed so that if the output voltage is within regulation and the peak switch current at the end of any switching cycle is below the pulse-skipping current threshold, the device enters the Eco-mode control scheme. This current threshold is the current level corresponding to a nominal COMP voltage of 500 mV.

When in the Eco-mode control scheme, the COMP pin voltage is clamped at 500 mV, and the high-side MOSFET is inhibited. Further decreases in load current or increases in output voltage cannot drive the COMP pin below this clamp voltage level.

Because the device is not switching, the output voltage begins to decay. As the voltage control loop compensates for the falling output voltage, the COMP pin voltage begins to rise. At this time, the high-side MOSFET is enabled, and a switching pulse initiates on the next switching cycle. The peak current is set by the COMP pin voltage. The output voltage recharges the regulated value (see [Figure 25](#)); then the peak switch current starts to decrease and eventually falls below the Eco-mode control-scheme threshold, at which time the device again enters the Eco-mode control scheme.

For Eco-mode control-scheme operation, the TPS5401 senses peak current, not average or load current, so the load current where the device enters the Eco-mode control scheme is dependent on the output inductor value. For example, the circuit in [Figure 40](#) enters the Eco-mode control scheme at about 20 mA of output current. When the load current is low and the output voltage is within regulation, the device enters a sleep mode and draws only 116  $\mu\text{A}$  of input quiescent current. The internal PLL remains operating when in sleep mode. When operating at light load currents in the pulse-skip mode, the switching transitions occur synchronously with the external clock signal.

**DETAILED DESCRIPTION (continued)**



**Figure 25. Pulse-Skip Mode Operation**

**Low-Dropout Operation and Bootstrap Voltage (BOOT)**

The TPS5401 has an integrated boot regulator, and requires a small ceramic capacitor between the BOOT and PH pins to provide the gate-drive voltage for the high-side MOSFET. The BOOT capacitor is refreshed when the high-side MOSFET is off and the low-side diode conducts. The value of this ceramic capacitor should be 0.1  $\mu$ F. A ceramic capacitor with an X7R or X5R grade dielectric with a voltage rating of 10 V or higher is recommended because of the stable characteristics over temperature and voltage.

To improve dropout, the TPS5401 is designed to operate at 100% duty cycle as long as the BOOT-to-PH pin voltage is greater than 2.1 V. When the voltage from BOOT to PH drops below 2.1 V, the high-side MOSFET is turned off using an UVLO circuit, which allows the low-side diode to conduct and refresh the charge on the BOOT capacitor. Because the supply current sourced from the BOOT capacitor is low, the high-side MOSFET can remain on for more switching cycles than are required to refresh the capacitor; thus, the effective duty cycle of the switching regulator is high.

The effective duty cycle during dropout of the regulator is mainly influenced by the voltage drops across the power MOSFET, inductor resistance, low-side diode, and printed circuit board resistance. During operating conditions in which the input voltage drops and the regulator is operating in continuous conduction mode, the high-side MOSFET can remain on for 100% of the duty cycle to maintain output regulation, until the BOOT-to-PH voltage falls below 2.1 V.

Attention must be taken in maximum-duty-cycle applications which experience extended time periods with light loads or no load. When the voltage across the BOOT capacitor falls below the 2.1-V UVLO threshold, the high-side MOSFET is turned off, but there may not be enough inductor current to pull the PH pin down to recharge the BOOT capacitor. The high-side MOSFET of the regulator stops switching because the voltage across the BOOT capacitor is less than 2.1 V. The output capacitor then decays until the difference in the input

### DETAILED DESCRIPTION (continued)

voltage and output voltage is greater than 2.1 V, at which point the BOOT UVLO threshold is exceeded, and the device starts switching again until the desired output voltage is reached. This operating condition persists until the input voltage and/or the load current increases. It is recommended to adjust the VIN stop voltage greater than the BOOT UVLO trigger condition at the minimum load of the application using the adjustable VIN UVLO feature with resistors on the EN pin.

The start and stop voltages for typical 3.3-V and 5-V output applications are shown in Figure 26 and Figure 27. The voltages are plotted versus load current. The start voltage is defined as the input voltage needed to regulate the output within 3.5%. The stop voltage is defined as the input voltage at which the output drops by 5% or stops switching.

During high-duty-cycle conditions, the inductor current ripple increases while the BOOT capacitor is being recharged, resulting in an increase in ripple voltage on the output. This is due to the recharge time of the boot capacitor being longer than the typical high-side off time, when switching occurs every cycle.

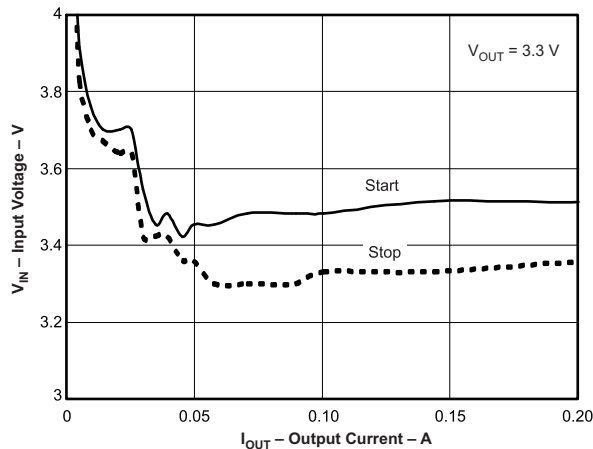


Figure 26. 3.3-V Start/Stop Voltage

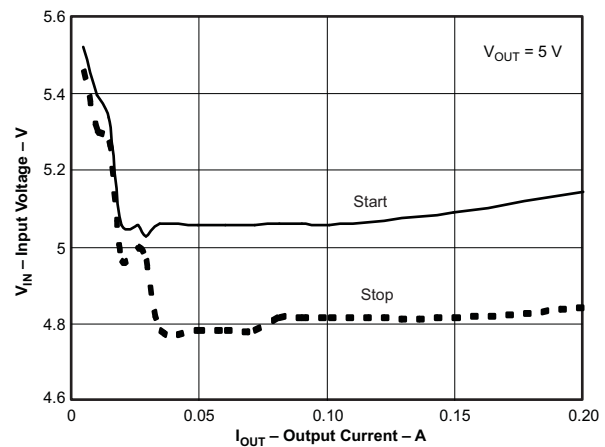


Figure 27. 5-V Start/Stop Voltage

### Error Amplifier

The TPS5401 has a transconductance amplifier as the error amplifier. The error amplifier compares the VSENSE voltage to the lower of the SS/TR pin voltage or the internal 0.8-V voltage reference. The transconductance (gm) of the error amplifier is 97  $\mu\text{A/V}$  during normal operation. During the slow-start operation, the transconductance is a fraction of the normal operating gm. When the voltage of the VSENSE pin is below 0.8 V and the device is regulating using the SS/TR voltage, the gm is 26  $\mu\text{A/V}$ .

The frequency compensation components (series resistor and capacitor) are connected between the COMP pin and ground.

### Voltage Reference

The voltage reference system produces a precise  $\pm 3.5\%$  voltage reference over temperature by scaling the output of a temperature-stable bandgap circuit.

### Adjusting the Output Voltage

The output voltage is set with a resistor divider from the output node to the VSENSE pin. It is recommended to use 1% tolerance or better divider resistors. Start with 10 k $\Omega$  for the R2 resistor and use Equation 1 to calculate R1. To improve efficiency at light loads, consider using larger-value resistors. If the values are too high, the regulator becomes more susceptible to noise, and voltage errors from the VSENSE input current become noticeable.

$$R1 = R2 \times \left( \frac{V_{\text{OUT}} - 0.8 \text{ V}}{0.8 \text{ V}} \right) \quad (1)$$

## DETAILED DESCRIPTION (continued)

### Enabling and Adjusting Undervoltage Lockout

The TPS5401 is disabled when the VIN pin voltage falls below 2.5 V. If an application requires a higher undervoltage lockout (UVLO), use the EN pin as shown in Figure 28 to adjust the input voltage UVLO by using the two external resistors. Though it is not necessary to use the UVLO adjust resistors, for operation it is highly recommended to provide consistent power-up behavior. The EN pin has an internal pullup current source,  $I_1$ , of 0.9  $\mu\text{A}$  that provides the default condition of the TPS5401 operating when the EN pin floats. Once the EN pin voltage exceeds the enable threshold voltage ( $V_{\text{ENA}}$ ) of 1.25 V, an additional 2.9  $\mu\text{A}$  of hysteresis,  $I_{\text{HYS}}$ , is added. This additional current facilitates input-voltage hysteresis. Use Equation 2 to set the external hysteresis for the input voltage. Use Equation 3 to set the input start voltage.

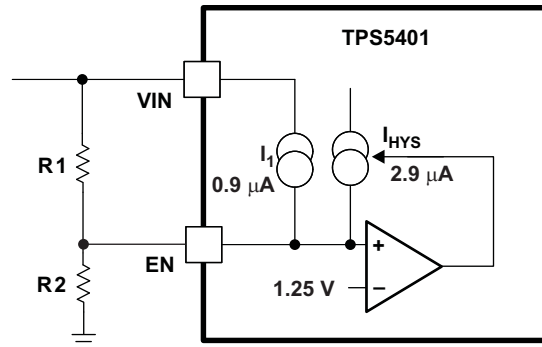


Figure 28. Adjustable Undervoltage Lockout (UVLO)

$$R1 = \frac{V_{\text{START}} - V_{\text{STOP}}}{I_{\text{HYS}}} \quad (2)$$

$$R2 = \frac{V_{\text{ENA}}}{\frac{V_{\text{START}} - V_{\text{ENA}}}{R1} + I_1} \quad (3)$$

### Slow-Start/Tracking Pin (SS/TR)

The TPS5401 effectively uses the lower voltage of the internal voltage reference or the SS/TR pin voltage as the power-supply reference voltage and regulates the output accordingly. A capacitor on the SS/TR pin to ground implements a slow-start time. The TPS5401 has an internal pullup current source of 2  $\mu\text{A}$  that charges the external slow-start capacitor. The calculations for the slow-start time (10% to 90%) are shown in Equation 4. The voltage reference ( $V_{\text{ref}}$ ) is 0.8 V and the slow-start current ( $I_{\text{SS}}$ ) is 2  $\mu\text{A}$ . The slow-start capacitor should remain lower than 0.47  $\mu\text{F}$  and greater than 0.47 nF.

$$C_{\text{SS}} \text{ (nF)} = \frac{t_{\text{SS}} \text{ (ms)} \times I_{\text{SS}} \text{ (}\mu\text{A)}}{V_{\text{ref}} \text{ (V)} \times 0.8} \quad (4)$$

At power up, the TPS5401 does not start switching until the slow-start pin is discharged to less than 40 mV to ensure a proper power up; see Figure 29.

Also, during normal operation, the TPS5401 stops switching and SS/TR must be discharged to 40 mV when the VIN UVLO is exceeded, the EN pin is pulled below 1.25 V, or a thermal shutdown event occurs.

The VSENSE voltage follows the SS/TR pin voltage with a 45-mV offset up to 85% of the internal voltage reference. When the SS/TR voltage is greater than 85% of the internal reference voltage, the offset increases as the effective system reference transitions from the SS/TR voltage to the internal voltage reference (see Figure 23). The SS/TR voltage ramps linearly until clamped at 1.7 V.

## DETAILED DESCRIPTION (continued)

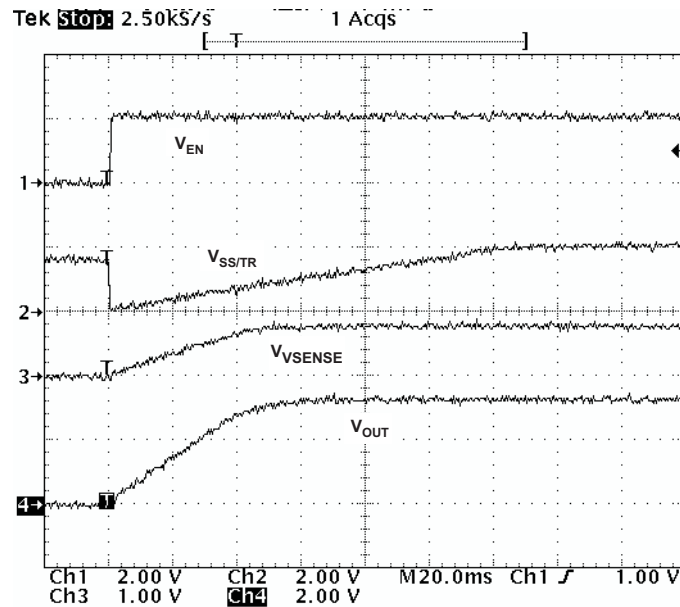


Figure 29. Operation of SS/TR Pin When Starting

### Overload Recovery Circuit

The TPS5401 has an overload recovery (OLR) circuit. The OLR circuit slow-starts the output from the overload voltage to the nominal regulation voltage once the fault condition is removed. The OLR circuit discharges the SS/TR pin to a voltage slightly greater than the VSENSE pin voltage using an internal pulldown of 100  $\mu$ A when the error amplifier is changed to a high voltage from a fault condition. When the fault condition is removed, the output slow-starts from the fault voltage to nominal output voltage.

### Sequencing

Many of the common power-supply sequencing methods can be implemented using the SS/TR, EN and PWRGD pins. The sequential method can be implemented using an open-drain output of a power-on-reset pin of another device. The sequential method is illustrated in [Figure 30](#) using two TPS5401 devices. The power good is coupled to the EN pin on the TPS5401, which enables the second power supply once the primary supply reaches regulation. If needed, a 1-nF ceramic capacitor on the EN pin of the second power supply provides a 1-ms start-up delay. [Figure 31](#) shows the results of [Figure 30](#).

DETAILED DESCRIPTION (continued)

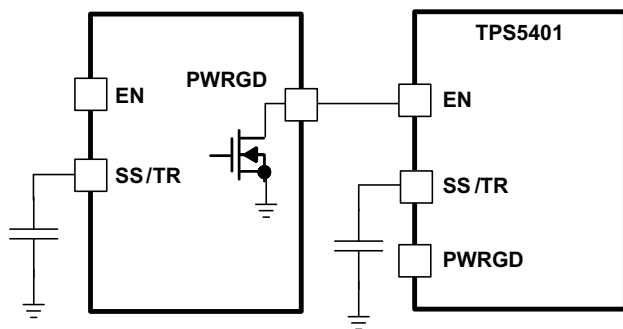


Figure 30. Schematic for Sequential Start-Up Sequence

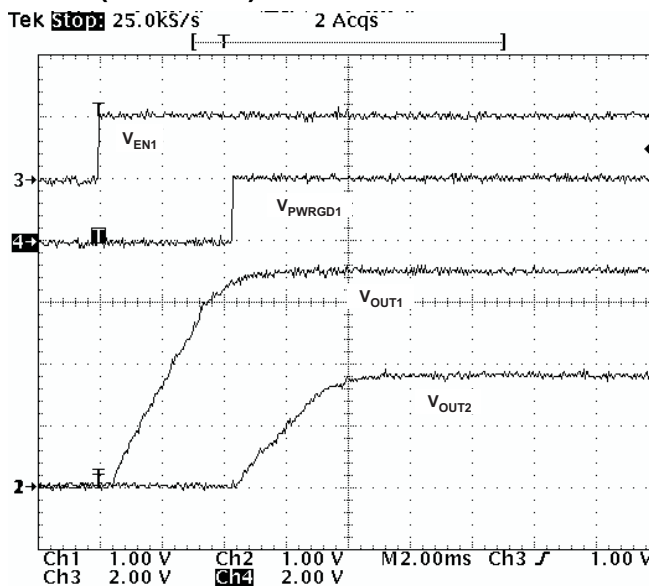


Figure 31. Sequential Start-Up Using EN and PWRGD

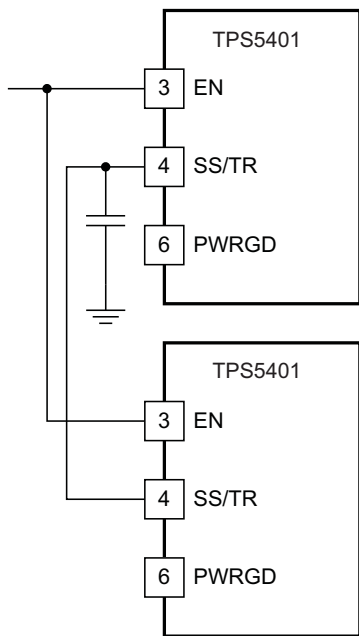


Figure 32. Schematic for Ratiometric Start-Up Sequence

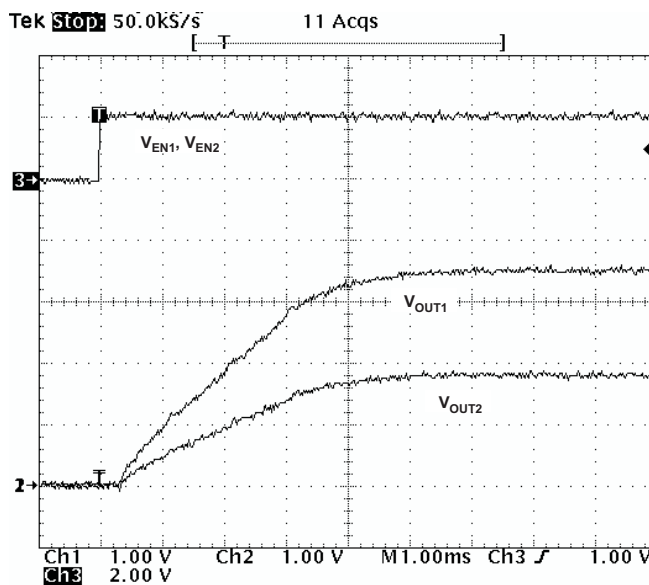
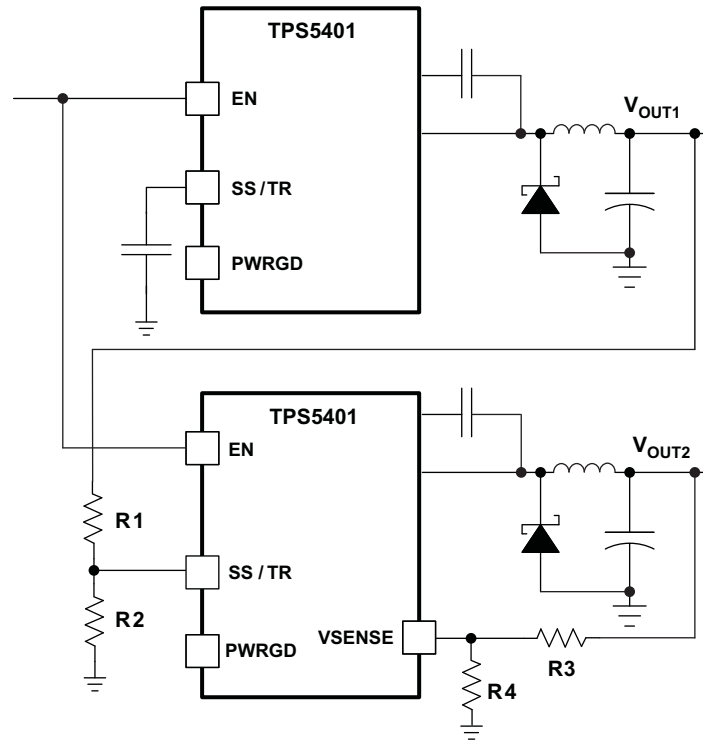


Figure 33. Ratiometric Start-Up Using Coupled SS/TR Pins

Figure 32 shows a method for ratiometric start-up sequence by connecting the SS/TR pins together. The regulator outputs ramp up and reach regulation at the same time. When calculating the slow-start time, the pullup current source must be doubled in Equation 4. Figure 33 shows the results of Figure 32.

**DETAILED DESCRIPTION (continued)****Figure 34. Schematic for Ratiometric and Simultaneous Start-Up Sequence**

Ratiometric and simultaneous power supply sequencing can be implemented by connecting the resistor network of R1 and R2 shown in [Figure 34](#) to the output of the power supply that must be tracked or to another voltage reference source. Using [Equation 5](#) and [Equation 6](#), the tracking resistors can be calculated to initiate the  $V_{OUT2}$  slightly before, after, or at the same time as  $V_{OUT1}$ . [Equation 7](#) is the voltage difference between  $V_{OUT1}$  and  $V_{OUT2}$  at the 95% of nominal output regulation.

The  $\Delta V$  variable is zero volts for simultaneous sequencing. To minimize the effect of the inherent SS/TR to VSENSE offset ( $V_{ssoffset}$ ) in the slow-start circuit and the offset created by the pullup current source ( $I_{ss}$ ) and tracking resistors, the  $V_{ssoffset}$  and  $I_{ss}$  are included as variables in the equations. [Figure 37](#) shows the result when  $\Delta V = 0$  V.

To design a ratiometric start-up in which the  $V_{OUT2}$  voltage is slightly greater than the  $V_{OUT1}$  voltage when  $V_{OUT2}$  reaches regulation, use a negative number in [Equation 5](#) through [Equation 7](#) for  $\Delta V$ . [Equation 7](#) results in a positive number for applications in which  $V_{OUT2}$  is slightly lower than  $V_{OUT1}$  when  $V_{OUT2}$  regulation is achieved. [Figure 35](#) and [Figure 36](#) show the start-up waveforms for negative and positive  $\Delta V$ , respectively.

Because the SS/TR pin must be pulled below 40 mV before starting after an EN, UVLO, or thermal shutdown fault, careful selection of the tracking resistors is needed to ensure the device can restart after a fault. Make sure the calculated R1 value from [Equation 5](#) is greater than the value calculated in [Equation 8](#) to ensure the device can recover from a fault.

As the SS/TR voltage becomes more than 85% of the nominal reference voltage, the  $V_{ssoffset}$  becomes larger as the slow-start circuits gradually hand off the regulation reference to the internal voltage reference. The SS/TR pin voltage must be greater than 1.3 V for a complete handoff to the internal voltage reference as shown in [Figure 23](#).

$$R1 = \frac{V_{OUT2} + \Delta V}{V_{ref}} \times \frac{V_{ssoffset}}{I_{ss}} \quad (5)$$

$$R2 = \frac{V_{ref} \times R1}{V_{OUT2} + \Delta V - V_{ref}} \quad (6)$$

DETAILED DESCRIPTION (continued)

$$\Delta V = V_{OUT1} - V_{OUT2} \tag{7}$$

$$R1 > 2800 \times V_{OUT1} - 180 \times \Delta V \tag{8}$$

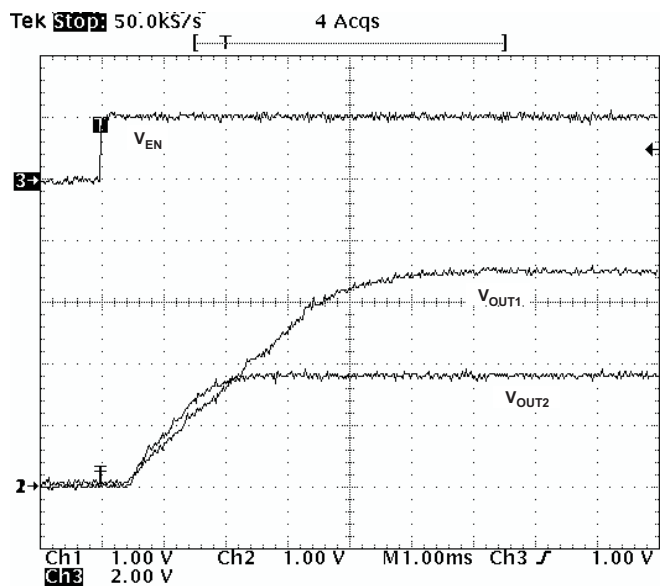


Figure 35. Ratiometric Start-Up With V<sub>out2</sub> Leading

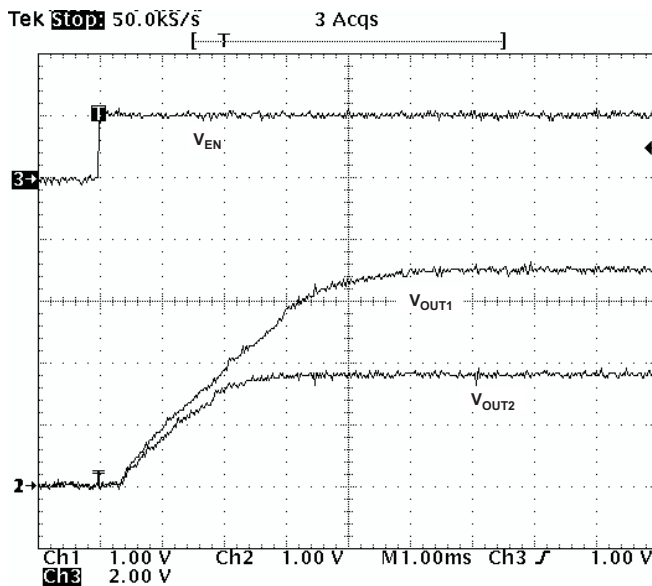


Figure 36. Ratiometric Start-Up With V<sub>out1</sub> Leading

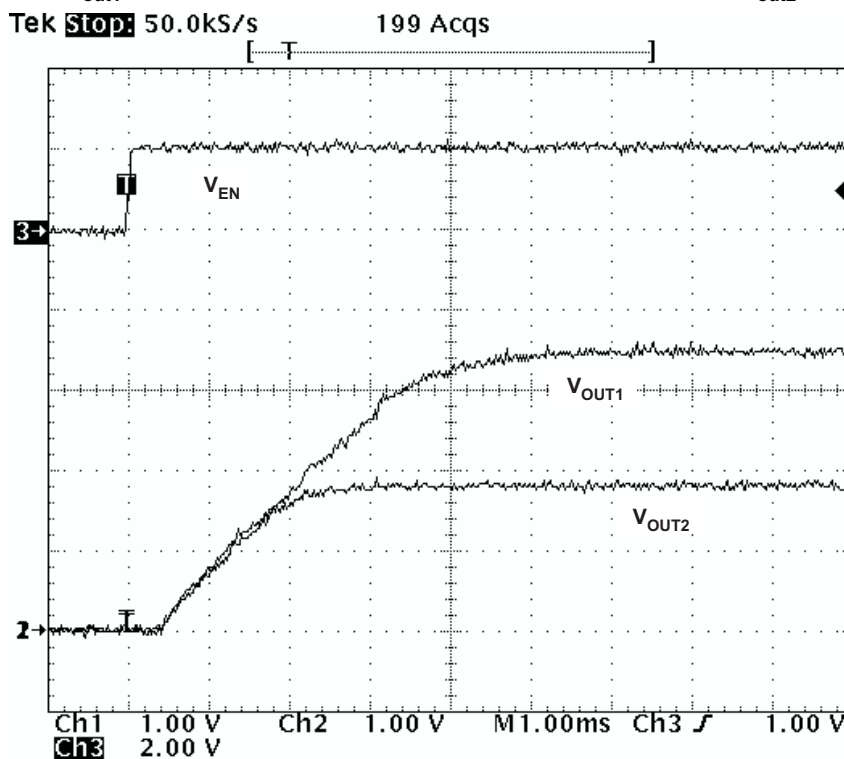


Figure 37. Simultaneous Start-Up

## DETAILED DESCRIPTION (continued)

### Constant Switching Frequency and Timing Resistor (RT/CLK Pin)

The switching frequency of the TPS5401 is adjustable over a wide range from approximately 100 kHz to 2500 kHz by placing a resistor on the RT/CLK pin. The RT/CLK pin voltage is typically 0.5 V and must have a resistor to ground to set the switching frequency. To determine the timing resistance for a given switching frequency, use Equation 9 or the curves in Figure 5 or Figure 6. To reduce the solution size one would typically set the switching frequency as high as possible, but tradeoffs of the supply efficiency, maximum input voltage, and minimum controllable on-time should be considered.

The minimum controllable on-time is typically 130 ns and limits the maximum operating input voltage.

The maximum switching frequency is also limited by the frequency-shift circuit. More discussion on the details of the maximum switching frequency is located as follows.

$$R_T(\text{k}\Omega) = \frac{206,003}{f_{\text{SW}}(\text{kHz})^{1.0888}} \quad (9)$$

### Overcurrent Protection and Frequency Shift

The TPS5401 implements current-mode control, which uses the COMP pin voltage to turn off the high-side MOSFET on a cycle-by-cycle basis. Each cycle, the switch current and COMP pin voltage are compared; when the peak switch current intersects the COMP voltage, the high-side switch is turned off. During overcurrent conditions that pull the output voltage low, the error amplifier responds by driving the COMP pin high, increasing the switch current. The error amplifier output is clamped internally, which functions as a switch-current limit.

To increase the maximum operating switching frequency at high input voltages, the TPS5401 implements a frequency shift. The switching frequency is divided by 8, 4, 2, and 1 as the voltage ramps from 0 to 0.8 volts on the VSENSE pin.

The device implements a digital frequency shift to enable synchronizing to an external clock during normal start-up and fault conditions. Because the device can only divide the switching frequency by 8, there is a maximum input voltage limit in which the device operates and still has frequency-shift protection.

During short-circuit events (particularly with high-input-voltage applications), the control loop has a finite minimum controllable on-time, and the output has a low voltage. During the switch on-time, the inductor current ramps to the peak current limit because of the high input voltage and minimum on-time. During the switch off-time, the inductor current would normally not have enough off-time and output voltage to ramp down by the ramp-up amount. The frequency shift effectively increases the off-time, allowing the current to ramp down.

### Selecting the Switching Frequency

The switching frequency that is selected should be the lower value of the two equations, Equation 10 and Equation 11. Equation 10 is the maximum switching frequency limitation set by the minimum controllable on-time. Setting the switching frequency above this value causes the regulator to skip switching pulses.

Equation 11 is the maximum switching frequency limit set by the frequency-shift protection. To have adequate output short-circuit protection at high input voltages, the switching frequency should be set to be less than the  $f_{\text{SW}(\text{maxshift})}$  frequency. In Equation 11, to calculate the maximum switching frequency, one must take into account that the output voltage decreases from the nominal voltage to 0 volts and the  $f_{\text{DIV}}$  integer increases from 1 to 8, corresponding to the frequency shift.

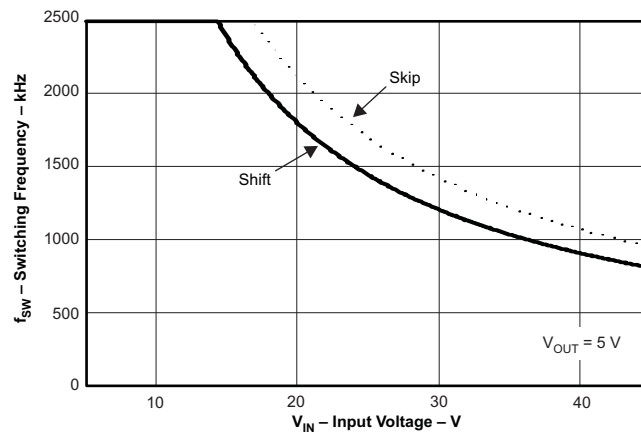
In Figure 38, the solid line illustrates a typical safe operating area regarding frequency shift and assumes an output voltage of zero volts, an inductor resistance of 0.13  $\Omega$ , FET on-resistance of 0.2  $\Omega$ , and a diode voltage drop of 0.5 V. The dashed line is the maximum switching frequency to avoid pulse skipping. Enter these equations in a spreadsheet or other software or use the SwitcherPro design software to determine the switching frequency.

$$f_{\text{SW}(\text{maxskip})} = \left( \frac{1}{t_{\text{ON}}} \right) \times \left( \frac{I_L \times R_{\text{dc}} + V_{\text{OUT}} + V_d}{V_{\text{IN}} - I_L \times r_{\text{DS(on)}} + V_d} \right) \quad (10)$$

$$f_{\text{SW}(\text{shift})} = \left( \frac{f_{\text{DIV}}}{t_{\text{ON}}} \right) \times \left( \frac{I_L \times R_{\text{dc}} + V_{\text{OUTSC}} + V_d}{V_{\text{IN}} - I_L \times r_{\text{DS(on)}} + V_d} \right) \quad (11)$$

**DETAILED DESCRIPTION (continued)**

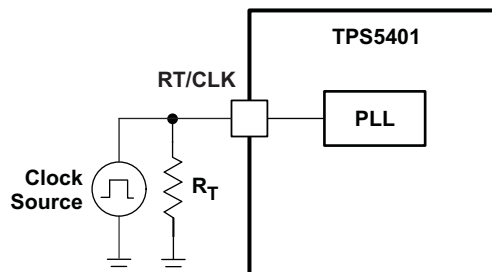
|              |   |
|--------------|---|
| $I_L$        | Inductor current                        |
| $R_{dc}$     | Inductor resistance                     |
| $V_{IN}$     | Maximum input voltage                   |
| $V_{OUT}$    | Output voltage                          |
| $V_{OUTSC}$  | Output voltage during short             |
| $V_d$        | Diode voltage drop                      |
| $r_{DS(on)}$ | Switch on resistance                    |
| $t_{ON}$     | Controllable on-time                    |
| $f_{DIV}$    | Frequency divide equals (1, 2, 4, or 8) |



**Figure 38. Maximum Switching Frequency vs. Input Voltage**

**How to Interface to RT/CLK Pin**

The RT/CLK pin can be used to synchronize the regulator to an external system clock. To implement the synchronization feature connect a square wave to the RT/CLK pin as shown in Figure 39. The square-wave amplitude must transition lower than 0.5 V and higher than 2.2 V on the RT/CLK pin and have an on-time greater than 40 ns and an off-time greater than 40 ns. The synchronization frequency range is 300 kHz to 2200 kHz. The rising edge of the PH signal is synchronized to the falling edge of the RT/CLK pin signal.



**Figure 39. Synchronizing to a System Clock**

## DETAILED DESCRIPTION (continued)

### Power Good (PWRGD Pin)

The PWRGD pin is an open-drain output. Once the VSENSE pin is between 94% and 107% of the internal voltage reference, the PWRGD pin is de-asserted and the pin floats. It is recommended to use a pullup resistor between the values of 10 k $\Omega$  and 100 k $\Omega$  to a voltage source that is 5.5 V or less. PWRGD is in a defined state once the VIN input voltage is greater than 1.5 V, but with reduced current-sinking capability. PWRGD achieves full current-sinking capability as the VIN input voltage approaches 3 V.

The PWRGD pin is pulled low when VSENSE is lower than 92% or greater than 109% of the nominal internal reference voltage. Also, PWRGD is pulled low if the UVLO or thermal shutdown is asserted or the EN pin is pulled low.

### Overvoltage Transient Protection

The TPS5401 incorporates an overvoltage transient protection (OVTP) circuit to minimize voltage overshoot when recovering from output fault conditions or strong unload transients on power-supply designs with low-value output capacitance. For example, when the power-supply output is overloaded, the error amplifier compares the actual output voltage to the internal reference voltage. If the VSENSE pin voltage is lower than the internal reference voltage for a considerable time, the output of the error amplifier responds by clamping the error-amplifier output to a high voltage, thus requesting the maximum output current. Once the condition is removed, the regulator output rises and the error amplifier output transitions to the steady-state duty cycle. In some applications, the power-supply output voltage can respond faster than the error-amplifier output can respond; this actuality leads to the possibility of an output overshoot. The OVTP feature minimizes the output overshoot, when using a low-value output capacitor, by implementing a circuit to compare the VSENSE pin voltage to OVTP threshold, which is 109% of the internal voltage reference. If the VSENSE pin voltage is greater than the OVTP threshold, the high-side MOSFET is disabled, preventing current from flowing to the output and minimizing output overshoot. When the VSENSE voltage drops lower than the OVTP threshold, the high-side MOSFET is allowed to turn on at the next clock cycle.

### Thermal Shutdown

The device implements an internal thermal shutdown to protect itself if the junction temperature exceeds 182°C. The thermal shutdown forces the device to stop switching when the junction temperature exceeds the thermal trip threshold. Once the die temperature decreases below 182°C, the device reinitiates the power-up sequence by discharging the SS/TR pin.

### Current-Mode Compensation Design

To simplify design efforts using the TPS5401, the typical designs for common applications are listed in [Table 2](#). For designs using ceramic output capacitors, proper derating of ceramic output capacitance is recommended when doing the stability analysis. This is because the actual ceramic capacitance drops considerably from the nominal value when the applied voltage increases. Advanced users may see the [Step-by-Step Design Procedure](#) in the *Application Information* section for detailed guidelines or use the SwitcherPro software tool (<http://focus.ti.com/docs/toolsw/folders/switcherpro.html>).

**Table 2. Typical Designs (Referring to Simplified Schematic on Page 1)**

| V <sub>IN</sub><br>(V) | V <sub>OUT</sub><br>(V) | f <sub>sw</sub><br>(kHz) | L <sub>OUT</sub><br>( $\mu$ H) | C <sub>OUT</sub>                     | R1<br>(k $\Omega$ ) | R2<br>(k $\Omega$ ) | C2<br>(pF) | C1<br>(pF) | R3<br>(k $\Omega$ ) |
|------------------------|-------------------------|--------------------------|--------------------------------|--------------------------------------|---------------------|---------------------|------------|------------|---------------------|
| 7.5 V–35 V             | 5                       | 700                      | 47                             | Aluminum, 220 $\mu$ F/260 m $\Omega$ | 52.3                | 10                  | 82         | 3300       | 698                 |
| 7.5 V–35 V             | 5                       | 700                      | 47                             | Ceramic, 47 $\mu$ F/10V              | 52.3                | 10                  | 5.6        | 3300       | 75                  |
| 12 V–42 V              | 5                       | 700                      | 47                             | Aluminum, 100 $\mu$ F/300 m $\Omega$ | 52.3                | 10                  | 100        | 3300       | 316                 |
| 12 V–42 V              | 3.3                     | 700                      | 33                             | Ceramic, 33 $\mu$ F/10 V             | 30.9                | 10                  | 10         | 3300       | 47                  |
| 8 V–14 V               | 5                       | 700                      | 33                             | Ceramic, 47 $\mu$ F/10 V             | 52.3                | 10                  | 5.6        | 3300       | 75                  |

## APPLICATION INFORMATION

### Typical Application

The TPS5401 is good for the E-meter application. The power supply design is a challenge work to E-meter designers because it must get enough output current from a wide input voltage range with a limited input power. For example, in China, a single-phase or three-phase E-meter must work properly with an input AC electricity voltage range from 0.7  $U_n$  to 1.9  $U_n$ . Here  $U_n$  is the phase voltage of 220 V. The input active power limit is 1.5 W. A typical power supply design uses a transformer followed by a rectifier bridge to get a low unregulated dc voltage. Then a voltage regulator generates 5 V for the whole system. Considering the ac transformer has large internal dc resistance and the following rectifier has a voltage drop, the output voltage of the rectifier circuit is different between empty load and heavy load. So the input voltage for the voltage regulator within the whole ac input voltage range may have a maximum-to-minimum ratio of 4. In this situation, a linear regulator is not suitable due to its very low efficiency at high input voltage.

Figure 40 shows a typical TPS5401 application schematic for this requirement. The input range is set to 7.5 V to 35 V. With such a wide input voltage range, an inexpensive transformer with high dc resistance can be used to save total cost.

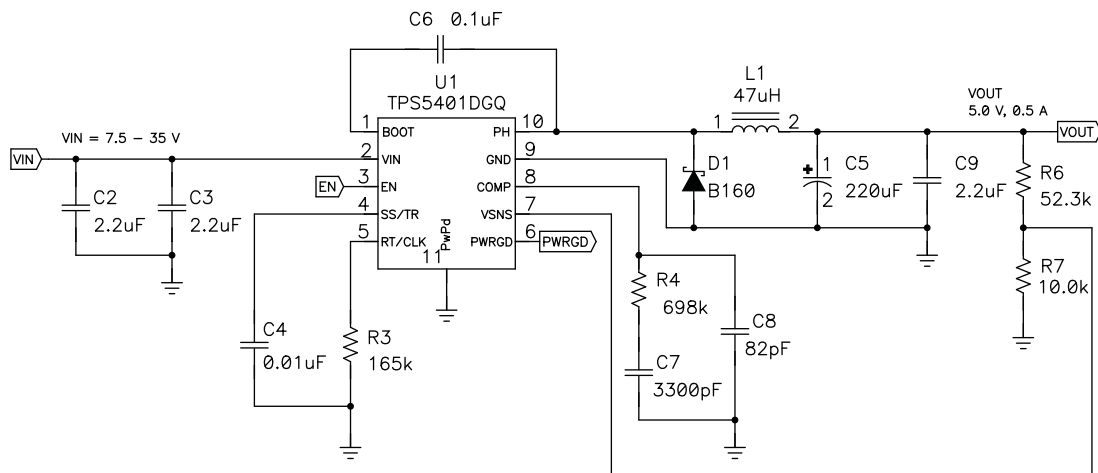


Figure 40. Typical Application Schematic

### Step-by-Step Design Procedure

The following design procedure can be used to select component values for the TPS5401. Alternately, the SwitcherPro software may be used to generate a complete design. The SwitcherPro software uses an iterative design procedure and accesses a comprehensive database of components when generating a design. This section presents a simplified discussion of the design process. To begin the design process, a few parameters must be decided upon. Table 3 lists the parameters the designer needs to know.

Table 3.

| DESIGN PARAMETER                                    | EXAMPLE VALUE   |
|---|-----------------|
| Input voltage range                                 | 7.5 V to 35 V   |
| Output voltage                                      | 5 V             |
| Input ripple voltage                                | 300 mV          |
| Output ripple voltage                               | 1% of $V_{OUT}$ |
| Output transient response for 0 to 500-mA load step | 4% of $V_{OUT}$ |
| Maximum output current                              | 500 mA          |

## Switching Frequency

The first step is to decide on a switching frequency for the regulator. Typically, the user may want to choose the highest switching frequency possible, because this produces the smallest solution size. The high switching frequency allows for lower-valued inductors and smaller output capacitors compared to a power supply that switches at a lower frequency. Alternatively, the user may choose a lower switching frequency to improve efficiency. At lower switching frequencies, switching losses are minimized. The switching frequency that can be selected is limited by the minimum on-time of the internal power switch, the input voltage, the output voltage, and the frequency shift limitation.

[Equation 10](#) and [Equation 11](#) must be used to find the maximum switching frequency for the regulator; choose the lower value of the two equations. Switching frequencies higher than these values result in pulse skipping or the lack of overcurrent protection during a short circuit.

The typical minimum on-time,  $t_{on(min)}$ , is 130 ns for the TPS5401. For this example, the output voltage is 5 V and the maximum input voltage is 35 V, which allows for a maximum switch frequency up to 1213 kHz when including the inductor resistance, on-resistance, and diode voltage in [Equation 10](#). To ensure overcurrent runaway is not a concern during short circuits in your design, use [Equation 11](#) or the solid curve in [Figure 38](#) to determine the maximum switching frequency. With a maximum input voltage of 35 V, assuming a diode voltage of 0.5 V, inductor resistance of 130 mΩ, switch resistance of 400 mΩ, a current-limit value of 0.94 A, and a short-circuit output voltage of 0.1 V, the maximum switching frequency is approximately 1265 kHz. Choosing high frequency can reduce external component size but results in higher switching loss. To achieve a balanced design, a switching frequency of 700 kHz is used. To determine the timing resistance for a given switching frequency, use [Equation 9](#) to get a nearest standard resistance of 165 kΩ. The switching frequency is set to 698 kHz by the resistor R3 shown in [Figure 40](#).

## Output Voltage Setpoint

The output voltage of the TPS5401 is externally adjustable using a resistor divider network. In the application circuit of [Figure 40](#), this divider network is comprised of R6 and R7. The relationship of the output voltage to the resistor divider is given by [Equation 12](#):

$$R6 = \left( \frac{V_{OUT}}{V_{ref}} - 1 \right) \times R7 \quad (12)$$

Choosing  $R7 = 10 \text{ k}\Omega$ ,  $R6$  is calculated to be 52.3 kΩ for an output voltage of 5 V.

Due to current leakage of the VSENSE pin, the current flowing through the feedback network should be greater than 1 μA in order to maintain the output voltage accuracy. This requirement makes the maximum value of  $R7$  equal to 800 kΩ. Choosing higher resistor values decreases quiescent current and improve efficiency at low output currents but may introduce noise immunity problems.

## Input Capacitor

The TPS5401 requires a high-quality ceramic, type X5R or X7R, input decoupling capacitor with at least 3 μF of effective capacitance, and in some applications a bulk capacitance. The effective capacitance includes any dc bias effects. The voltage rating of the input capacitor must be greater than the maximum input voltage. The capacitor must also have a ripple-current rating greater than the maximum input-current ripple of the TPS5401. The input ripple current can be calculated using [Equation 13](#).

The value of a ceramic capacitor varies significantly over temperature and the amount of dc bias applied to the capacitor. The capacitance variations due to temperature can be minimized by selecting a dielectric material that is stable over temperature. X5R and X7R ceramic dielectrics are usually selected for power regulator capacitors because they have a high capacitance-to-volume ratio and are fairly stable over temperature. The output capacitor must also be selected with the dc bias taken into account. The capacitance value of a capacitor decreases as the dc bias across a capacitor increases.

For this example design, a ceramic capacitor with at least a 60-V voltage rating is required to support the maximum input voltage. Common standard ceramic capacitor voltage ratings include 4 V, 6.3 V, 10 V, 16 V, 25 V, 50 V, and 100 V, so a 100-V capacitor should be selected. For this example, two 2.2-μF, 100-V capacitors in parallel have been selected. [Table 4](#) shows a selection of high-voltage capacitors. The input capacitance value determines the input ripple voltage of the regulator. The input voltage ripple can be calculated using [Equation 14](#).

Using the design example values,  $I_{OUT(max)} = 0.5\text{ A}$ ,  $C_{IN} = 4.4\ \mu\text{F}$ , and  $f_{SW} = 700\text{ kHz}$ , yields an input voltage ripple of 40.6 mV and a maximum rms input ripple current of 0.25 A when  $V_{IN}$  is equal to 10 V, which is 2 times the output voltage of 5 V.

$$I_{INRMS} = I_{OUT} \times \sqrt{\frac{V_{OUT}}{V_{IN}} \times \frac{(V_{IN} - V_{OUT})}{V_{IN}}} \quad (13)$$

$$V_{INRIPPLE} = \frac{I_{OUT(max)} \times 0.25}{C_{IN} \times f_{SW}} \quad (14)$$

**Table 4. Capacitor Types**

| VENDOR | VALUE ( $\mu\text{F}$ ) | EIA Size | VOLTAGE | DIELECTRIC            | COMMENTS      |                |
|--------|-------------------------|----------|---------|-----------------------|---------------|----------------|
| Murata | 1 to 2.2                | 1210     | 100 V   | X7R                   | GRM32 series  |                |
|        | 1 to 4.7                |          | 50 V    |                       |               |                |
|        | 1                       | 1206     | 100 V   |                       | GRM31 series  |                |
|        | 1 to 2.2                |          | 50 V    |                       |               |                |
| Vishay | 1 to 1.8                | 2220     | 50 V    |                       | VJ X7R series |                |
|        | 1 to 1.2                |          | 100 V   |                       |               |                |
|        | 1 to 3.9                | 2225     | 50 V    |                       |               |                |
|        | 1 to 1.8                |          | 100 V   |                       |               |                |
| TDK    | 1 to 2.2                | 1812     | 100 V   |                       |               | C series C4532 |
|        | 1.5 to 6.8              |          | 50 V    |                       |               |                |
|        | 1. to 2.2               | 1210     | 100 V   |                       |               | C series C3225 |
|        | 1 to 3.3                |          | 50 V    |                       |               |                |
| AVX    | 1 to 4.7                | 1210     | 50 V    | X7R dielectric series |               |                |
|        | 1                       |          | 100 V   |                       |               |                |
|        | 1 to 4.7                | 1812     | 50 V    |                       |               |                |
|        | 1 to 2.2                |          | 100 V   |                       |               |                |

## Output Inductor Selection

To calculate the minimum value of the output inductor, use [Equation 15](#).

$$L_{OUT(min)} = \frac{V_{IN(max)} - V_{OUT}}{I_{OUT} \times K_{IND}} \times \frac{V_{OUT}}{V_{IN(max)} \times f_{SW}} \quad (15)$$

$K_{IND}$  is a coefficient that represents the amount of inductor ripple current relative to the maximum output current.

The inductor ripple current is filtered by the output capacitor. Therefore, choosing high inductor ripple currents impacts the selection of the output capacitor, because the output capacitor must have a ripple-current rating equal to or greater than the inductor ripple current. In general, the inductor ripple value is at the discretion of the designer; however, the following guidelines may be used.

For designs using low-ESR output capacitors such as ceramics, a value as high as  $K_{IND} = 0.4$  may be used. When using higher-ESR output capacitors,  $K_{IND} = 0.2$  yields better results. Because the inductor ripple current is part of the PWM control system, the TPS5401 requires ripple current that is always greater than 30 mA for dependable operation. In a wide-input voltage regulator, it is best to choose an inductor ripple current on the larger side. This allows the inductor to still have a measurable ripple current with the input voltage at its minimum. The maximum value of the input inductance is limited by [Equation 16](#).

$$L_{OUT(max)} = \frac{V_{IN(min)} - V_{OUT}}{30\text{mA}} \times \frac{V_{OUT}}{V_{IN(min)} \times f_{SW}} \quad (16)$$

For this design example, use  $K_{IND} = 0.3$ , and the minimum inductor value is calculated to be 42  $\mu\text{H}$ . The nearest standard value was chosen: 47  $\mu\text{H}$ . For the output-filter inductor, it is important that the root-mean-square (rms) current and saturation current ratings not be exceeded. The rms and peak inductor current can be found from [Equation 17](#) to [Equation 19](#).

$$I_{L(RIPPLE)} = \frac{(V_{IN(max)} - V_{OUT}) \times V_{OUT}}{V_{IN(max)} \times L_{OUT} \times f_{SW}} \quad (17)$$

$$I_{L(RMS)} = \sqrt{(I_{OUT})^2 + \frac{1}{12} \times \left( \frac{(V_{IN(max)} - V_{OUT}) \times V_{OUT}}{V_{IN(max)} \times L_{OUT} \times f_{SW}} \right)^2} \quad (18)$$

$$I_{L(peak)} = I_{OUT} + \frac{I_{RIPPLE}}{2} \quad (19)$$

As the equation set demonstrates, lower ripple currents reduce the output voltage ripple of the regulator but require a larger value of inductance. Selecting higher ripple currents increases the output voltage ripple of the regulator but allows for a lower inductance value. The current flowing through the inductor is the inductor ripple current plus the output current. During power up, faults or transient load conditions, the inductor current can increase above the calculated peak inductor current level. In transient conditions, the inductor current can increase up to the switch current limit of the device. For this reason, the most conservative approach is to specify an inductor with a saturation current rating equal to or greater than the switch current limit rather than the peak inductor current. For this design,  $I_{L(RIPPLE)} = 0.1303$  A,  $I_{L(RMS)} = 0.501$  A and  $I_{L(peak)} = 0.565$  A. The inductor used is a Coilcraft MSS1048-473ML type, with a saturation current rating of 1.44 A and an rms current rating of 1.83 A.

## Output Capacitor

There are three primary considerations for selecting the value of the output capacitor. The output capacitor determines the modulator pole, the output voltage ripple, and how the regulator responds to a large change in load current. The output capacitance must be selected based on the most-stringent of these three criteria.

The desired response to a large change in the load current is the first criterion. The output capacitor must supply the load with current when the regulator cannot. This situation occurs if there are desired hold-up times for the regulator where the output capacitor must hold the output voltage above a certain level for a specified amount of time after the input power is removed. The regulator also is temporarily unable to supply sufficient output current if there is a large, fast increase in the current needs of the load, such as when transitioning from no load to a full load. The regulator usually requires two or more clock cycles for the control loop to see the change in load current and output voltage and adjust the duty cycle to react to the change. The output capacitor must be sized to supply the extra current to the load until the control loop responds to the load change. The output capacitance must be large enough to supply the difference in current for two clock cycles while only allowing a tolerable amount of droop in the output voltage. Equation 20 shows the minimum output capacitance necessary to accomplish this.

$$C_{OUT} > \frac{2 \times \Delta I_{OUT}}{f_{SW} \times (\Delta V_{OUT} - \Delta I_{OUT} \times R_{ESR})} \quad (20)$$

Where:

- $\Delta I_{OUT}$  is the change in output current
- $f_{SW}$  is the regulator switching frequency
- $\Delta V_{OUT}$  is the allowable change in the output voltage
- $R_{ESR}$  is the equivalent series resistance (ESR) of the output capacitor.

Equation 20 indicates the ESR must be less than  $\Delta V_{OUT}/\Delta I_{OUT}$ . For this example, the transient load response is specified as a 4% change in  $V_{OUT}$  for a load step from 0 A (no load) to 0.5 A (full load). For this example,  $\Delta I_{OUT} = 0.5$  A and  $\Delta V_{OUT} = 0.04 \times 5$  V = 0.2 V. For ceramic capacitors, the ESR is usually small enough to ignore in this calculation. Aluminum electrolytic and tantalum capacitors have higher ESR that should be taken into account. Using these numbers gives a minimum capacitance of 7.14  $\mu$ F for ceramic capacitor and 20.4  $\mu$ F for electrolytic capacitor with 260 m $\Omega$  ESR.

The catch diode of the regulator cannot sink current, so any stored energy in the inductor produces an output voltage overshoot when the load current rapidly decreases. The output capacitor must also be sized to absorb energy stored in the inductor when transitioning from a high load current to a lower load current. The excess energy that gets stored in the output capacitor increases the voltage on the capacitor. The capacitor must be sized to maintain the desired output voltage during these transient periods. Equation 21 is used to calculate the minimum capacitance to keep the output voltage overshoot to a desired value, where  $L_{OUT}$  is the value of the

inductor,  $I_{OH}$  is the output current under heavy load,  $I_{OL}$  is the output under light load,  $V_{FIN}$  is the final peak output voltage, and  $V_{INI}$  is the initial capacitor voltage. For this example, the worst-case load step is from 0.5 A to 0 A. The output voltage increases during this load transition, and the stated maximum in our specification is 4% of the output voltage. This makes  $V_{FIN} = 1.04 \times 5 \text{ V} = 5.2 \text{ V}$ .  $V_{INI}$  is the initial capacitor voltage, which is the nominal output voltage of 5 V. Using these numbers in [Equation 21](#) yields a minimum capacitance of 5.76  $\mu\text{F}$ .

$$C_{OUT} > L_{OUT} \times \frac{I_{OH}^2 - I_{OL}^2}{V_{FIN}^2 - V_{INI}^2} \quad (21)$$

[Equation 22](#) calculates the minimum output capacitance needed to meet the output-voltage ripple specification, where  $f_{SW}$  is the switching frequency,  $V_{ORIPPLE}$  is the maximum allowable output voltage ripple, and  $I_{LRIPPLE}$  is the inductor ripple current. [Equation 22](#) shows the ESR of the output capacitor must be less than  $V_{ORIPPLE}/I_{LRIPPLE}$  to meet the output-voltage ripple requirement. Low-ESR capacitors are preferred to keep the output-voltage ripple low. If a high-ESR electrolytic capacitor is used, a small ESR ceramic capacitor is recommended to be in parallel with the electrolytic capacitor to minimize the output voltage ripple. In this application, an aluminum electrolytic capacitor is chosen as the output capacitor. It has 260 m $\Omega$  ESR. [Equation 22](#) yields 1.44  $\mu\text{F}$ .

$$C_{OUT} > \frac{1}{8 \times f_{SW}} \times \frac{1}{\frac{V_{ORIPPLE}}{I_{LRIPPLE}} - R_{ESR}} \quad (22)$$

The most stringent criterion for the output capacitor is 20.5  $\mu\text{F}$  of capacitance to keep the output voltage in regulation during a load transient in this example.

Additional capacitance de-ratings for aging, temperature and dc bias should be factored in, which increases this minimum value. For this example, a 220  $\mu\text{F}$  electrolytic capacitor with 260 m $\Omega$  of ESR can be used for low cost target.

Capacitors generally have limits to the amount of ripple current they can handle without failing or producing excess heat. An output capacitor that can support the inductor ripple current must be specified. Some capacitor data sheets specify the root-mean-square (rms) value of the maximum ripple current. [Equation 23](#) can be used to calculate the rms ripple current the output capacitor must support. For this application, [Equation 23](#) yields 37.6 mA.

$$I_{CO(RMS)} = \frac{V_{OUT} \times (V_{IN(max)} - V_{OUT})}{\sqrt{12} \times V_{IN(max)} \times L_{OUT} \times f_{SW}} \quad (23)$$

## Catch Diode

The TPS5401 requires an external catch diode between the PH pin and GND. The selected diode must have a reverse voltage rating equal to or greater than  $V_{IN(MAX)}$ . The peak current rating of the diode must be greater than the maximum inductor current. The diode should also have a low forward voltage. Schottky diodes are typically a good choice for the catch diode, due to their low forward voltage. The lower the forward voltage of the diode, the higher the efficiency of the regulator.

Typically, when the voltage and current ratings for the diode are higher, then the forward voltage is higher. Because the design example has an input voltage up to 42 V, a diode with a minimum of 42-V reverse voltage is selected.

For the example design, the B160A Schottky diode is selected for its lower forward voltage, and it comes in a larger package size which has good thermal characteristics over small devices. The typical forward voltage of the B160A is 0.5 V.

The diode must also be selected with an appropriate power rating. The diode conducts the output current during the off-time of the internal power switch. The off-time of the internal switch is a function of the maximum input voltage, the output voltage, and the switching frequency. The output current during the off-time is multiplied by the forward voltage of the diode, which equals the conduction losses of the diode. At higher switch frequencies, the ac losses of the diode must be taken into account. The ac losses of the diode are due to the charging and discharging of the junction capacitance and reverse recovery. [Equation 24](#) is used to calculate the total power dissipation, conduction losses plus ac losses, of the diode.

The B160A has a junction capacitance ( $C_J$ ) of 110 pF. Using [Equation 24](#), the selected diode dissipates 0.29 W. This power dissipation, depending on mounting techniques, should produce a 5.9°C temperature rise in the diode when the input voltage is 42 V and the load current is 0.5 A.

If the power supply spends a significant amount of time at light load currents or in sleep mode, consider using a diode which has a low leakage current and slightly higher forward voltage drop.

$$P_D = \frac{(V_{IN(max)} - V_{OUT}) \times I_{OUT} \times V_{FD}}{V_{IN(max)}} + \frac{C_J \times f_{SW} \times (V_{IN(max)} + V_{FD})^2}{2} \quad (24)$$

### Slow-Start Capacitor

The slow-start capacitor determines the minimum amount of time it takes for the output voltage to reach its nominal programmed value during power up. This is useful if a load requires a controlled voltage-slew rate. This is also used if the output capacitance is large and would require large amounts of current to quickly charge the capacitor to the output voltage level. The large currents necessary to charge the capacitor may make the TPS5401 reach the current limit, or excessive current draw from the input power supply may cause the input voltage rail to sag. Limiting the output voltage-slew rate solves both of these problems.

The slow-start time must be long enough to allow the regulator to charge the output capacitor up to the output voltage without drawing excessive current. [Equation 25](#) can be used to find the minimum slow-start time,  $t_{SS}$ , necessary to charge the output capacitor,  $C_{OUT}$ , from 10% to 90% of the output voltage,  $V_{OUT}$ , with an average slow-start current of  $I_{SSAVG}$ . In the example, to charge the 220  $\mu$ F output capacitor up to 5 V while only allowing the average input current  $I_{SSAVG}$  to be 0.2 A would require a 4.4-ms slow-start time.

$$t_{SS} > \frac{C_{OUT} \times V_{OUT} \times 0.8}{I_{SSAVG}} \quad (25)$$

Once the slow-start time is known, the slow-start capacitor value can be calculated using [Equation 4](#). For the example circuit, the slow-start time is set to a value of 3.2 ms, which requires a 0.01- $\mu$ F capacitor.

### Bootstrap Capacitor Selection

A 0.1- $\mu$ F ceramic capacitor must be connected between the BOOT and PH pins for proper operation. It is recommended to use a ceramic capacitor with X5R or better grade dielectric. The capacitor should have a 10-V or higher voltage rating.

### Undervoltage Lockout Set Point

The undervoltage lockout (UVLO) can be adjusted using an external voltage divider on the EN pin of the TPS5401. The UVLO has two thresholds, one for power up when the input voltage is rising and one for power down or brown outs when the input voltage is falling. The supply should turn on and start switching once the input voltage increases above power-up threshold (enabled). After the regulator starts switching, it should continue to do so until the input voltage falls below the power-down threshold (UVLO stop).

The programmable UVLO and enable voltages are set using a resistor divider between  $V_{in}$  and ground to the EN pin. [Equation 2](#) through [Equation 3](#) can be used to calculate the resistance values necessary. For the example application, because the minimum input voltage is 7.5 V, when the maximum input voltage is 35 V, the voltage at the EN pin exceeds the absolute voltage rating of the EN pin. So the UVLO is not set externally in this design.

### Compensation

The external compensation used with the TPS5401 allows for a wide range of output filter configurations. A large range of capacitor values and types of dielectric is supported. This design example uses an aluminum electrolytic output capacitor. A design example with the ceramic dielectric output capacitors can be found in the TPS54040 data sheet ([SLVS918](#)). More accurate designs can be found in the SwitcherPro software.

The peak-current mode PWM modulator and the output filter generate a pair of power stage pole and zero which are determined using [Equation 26](#) and [Equation 27](#).

$$f_{Pmod} = \frac{I_{OUT}}{2\pi \times V_{OUT} \times C_{OUT}} \quad (26)$$

$$f_{Z_{mod}} = \frac{1}{2\pi \times R_{ESR} \times C_{OUT}} \quad (27)$$

A type 2A compensation scheme is recommended for the TPS5401. As  $R_C$ ,  $C_C$ ,  $C_P$  shown in Figure 41, the compensation components are chosen to set the desired loop crossover frequency and phase margin for output filter components. The type 2A compensation has the following characteristics: a dc gain, a low-frequency pole, and a mid-frequency zero / pole pair.

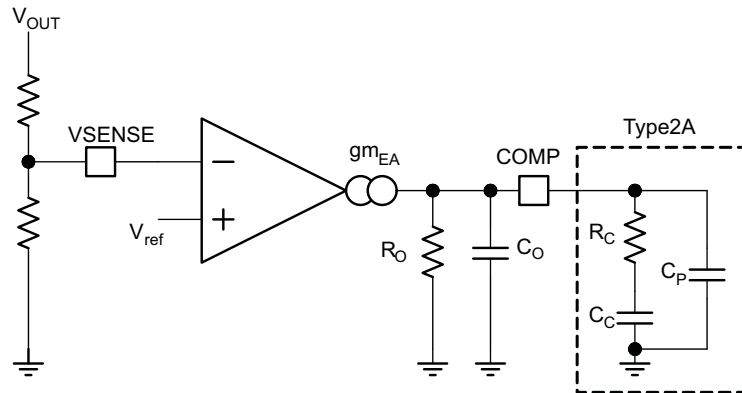


Figure 41. The Compensation Recommended for the TPS5401

The dc gain is determined by Equation 28:

$$G_{DCEA} = A_{DCEA} \times \frac{V_{ref}}{V_{OUT}} \quad (28)$$

where:

$A_{DCEA}$  is the error amplifier open-loop dc gain. It is 10,000 V/V.

The low-frequency pole is determined by Equation 29:

$$f_{P0} = \frac{1}{2\pi \times R_O \times C_C} \quad (29)$$

where:

$R_O$  is the output resistance of the error amplifier. It can be calculated by Equation 30.

$$R_O = \frac{A_{DCEA}}{gm_{EA}} \quad (30)$$

The mid-frequency zero is determined by Equation 31.

$$f_{Z1} = \frac{1}{2\pi \times R_C \times C_C} \quad (31)$$

And, the mid-frequency pole is given by Equation 32.

$$f_{P1} = \frac{1}{2\pi \times R_C \times C_P} \tag{32}$$

The first step is to choose the closed-loop crossover frequency  $f_{CO}$ . In general, the closed-loop crossover frequency could be less than 1/10 of the minimum operating frequency. But for the TPS5401, it is recommended that the maximum closed-loop crossover frequency be not greater than 40 kHz. For this example, we choose 15-kHz crossover frequency. Next, by definition, the magnitude of the loop gain at the crossover frequency is 0 dB. By placing the compensation zero at the power stage pole, and the mid-compensation pole at the power stage zero, the  $R_C$ ,  $C_C$  and  $C_P$  can be approximately calculated by Equation 33 through Equation 35.

$$R_C = \frac{2\pi \times f_{CO} \times C_{OUT}}{gm_{PS}} \times \frac{V_{OUT}}{V_{ref} \times gm_{EA}} \tag{33}$$

$$C_C = \frac{1}{2\pi \times f_{Pmod}} \tag{34}$$

$$C_P = \frac{1}{2\pi \times f_{Zmod}} \tag{35}$$

Where:

- $gm_{PS}$  is the power-stage transconductance. It is 1.9 A/V
- $gm_{EA}$  is the error-amplifier transconductance. It is 97  $\mu$ A/V

For this design example, R4, C7, and C8 make the compensation network. R4 = 698 k $\Omega$ , C7 = 3300 pF, C8 = 82 pF.

### Discontinuous Mode and Eco-mode Control-Scheme Boundary

With an input voltage of 34 V, the power supply enters discontinuous mode when the output current is less than 50 mA. The power supply enters Eco-mode control scheme when the output current is lower than 30 mA.

### Application Curves

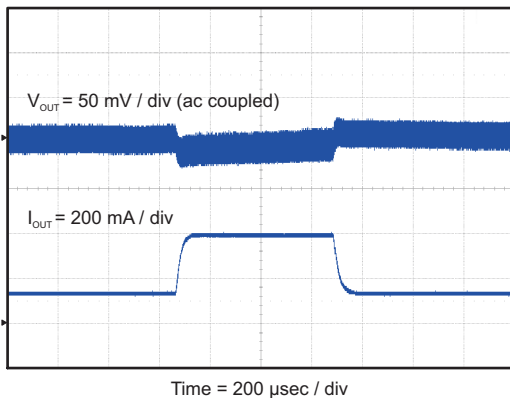


Figure 42. Load Transient (100 mA to 350 mA)

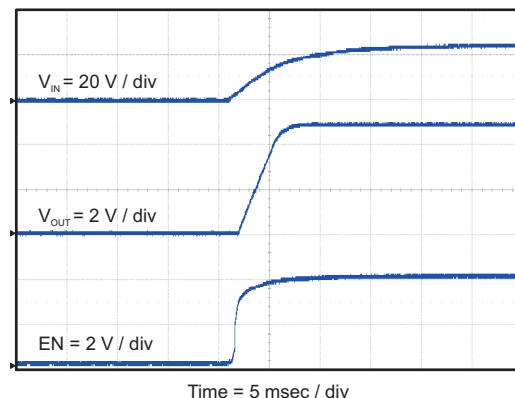
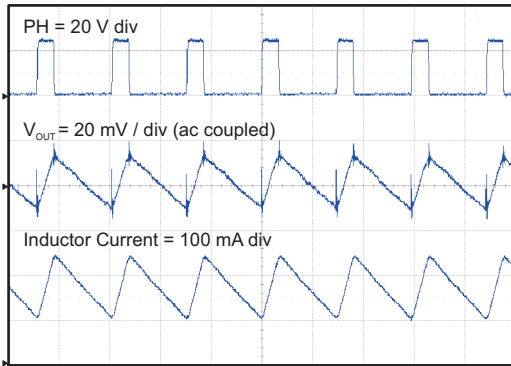
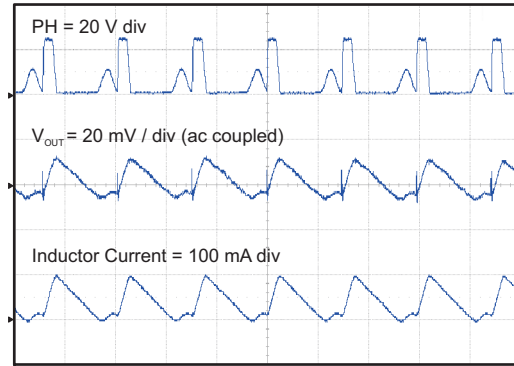


Figure 43. Start-Up With Input Voltage



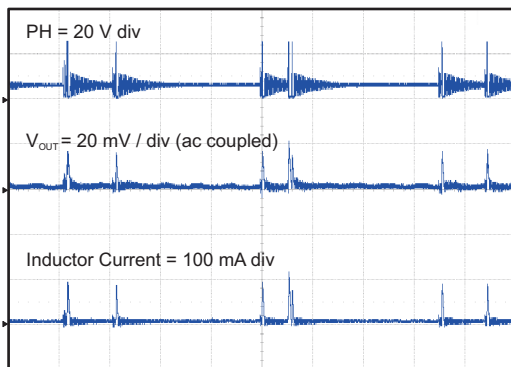
Time = 1 usec / div

Figure 44. Output Ripple, CCM



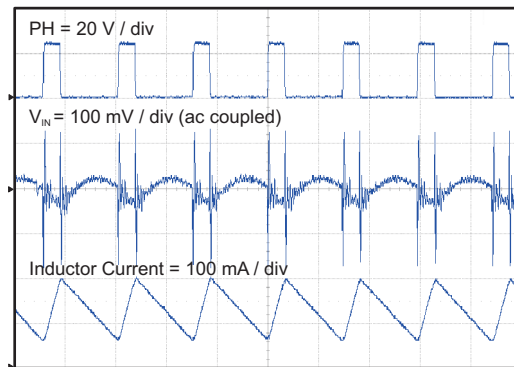
Time = 1 usec / div

Figure 45. Output Ripple, DCM



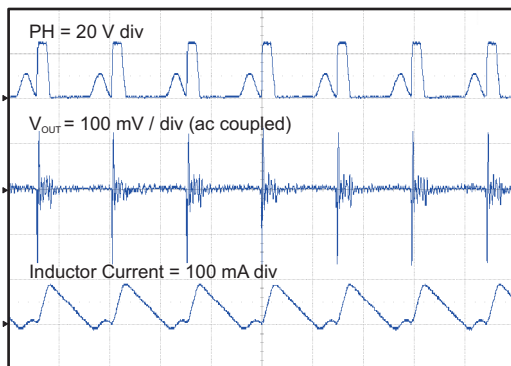
Time = 20 usec / div

Figure 46. Output Ripple, PSM



Time = 1 usec / div

Figure 47. Input Ripple, CCM



Time = 1 usec / div

Figure 48. Input Ripple, DCM

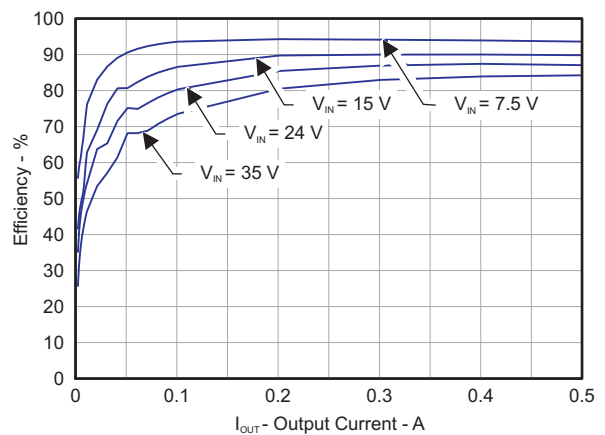


Figure 49. Efficiency vs Load Current

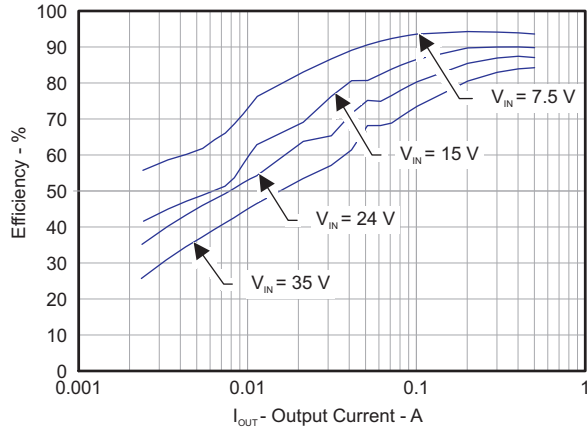


Figure 50. Light-Load Efficiency

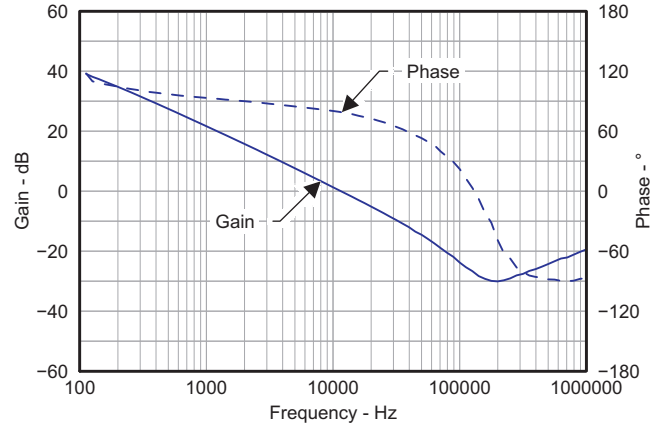


Figure 51. Overall Loop-Frequency Response

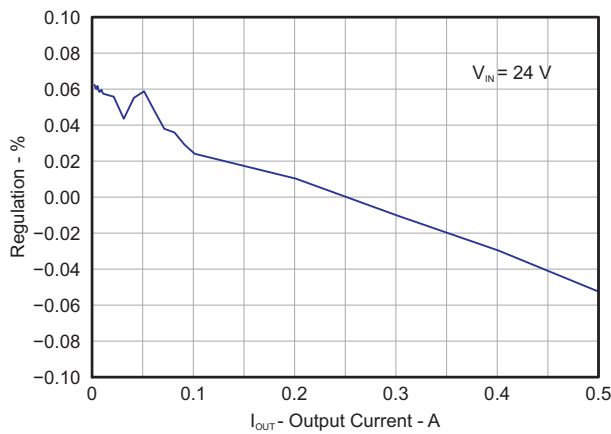


Figure 52. Regulation vs Load Current

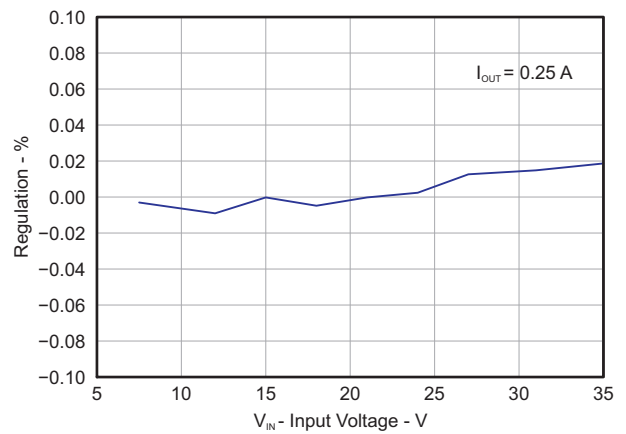


Figure 53. Regulation vs Input Voltage

## Power Dissipation Estimate

The following formulas show how to estimate the IC power dissipation under continuous-conduction mode (CCM) operation. These equations should not be used if the device is working in discontinuous-conduction mode (DCM).

The power dissipation of the IC includes conduction loss ( $P_{\text{con}}$ ), switching loss ( $P_{\text{sw}}$ ), gate-drive loss ( $P_{\text{GD}}$ ), and supply current ( $P_{\text{SUP}}$ ).

$$P_{\text{con}} = I_{\text{OUT}}^2 \times r_{\text{DS(on)}} \times \frac{V_{\text{OUT}}}{V_{\text{IN}}} \quad (36)$$

$$P_{\text{sw}} = V_{\text{IN}}^2 \times I_{\text{OUT}} \times 0.25 \times 10^{-9} \times f_{\text{SW}} \quad (37)$$

$$P_{\text{GD}} = V_{\text{IN}} \times 3 \times 10^{-9} \times f_{\text{SW}} \quad (38)$$

$$P_{\text{SUP}} = 116 \times 10^{-6} \times V_{\text{IN}} \quad (39)$$

So total power dissipation is:

$$P_{\text{TOT}} = P_{\text{CON}} + P_{\text{SW}} + P_{\text{GD}} + P_{\text{SUP}} \quad (40)$$

For a given ambient temperature  $T_{\text{A}}$ , the junction temperature  $T_{\text{J}}$  can be estimated by [Equation 41](#).

$$T_{\text{J}} = T_{\text{A}} - \theta_{\text{JA}} \times P_{\text{TOT}} \quad (41)$$

where:

- $\theta_{\text{JA}}$  is the thermal resistance of the package ( $^{\circ}\text{C}/\text{W}$ )

For given  $T_{\text{J(max)}} = 150^{\circ}\text{C}$ , the maximum allowed ambient temperature can be estimated by [Equation 42](#).

$$T_{\text{A(max)}} = T_{\text{J(max)}} - \theta_{\text{JA}} \times P_{\text{TOT}} \quad (42)$$

There are additional power losses in the regulator circuit due to the inductor ac and dc losses, the catch diode and trace resistance that impact the overall efficiency of the regulator.

### Layout

Layout is a critical portion of good power-supply design. There are several signals paths that conduct fast-changing currents or voltages that can interact with stray inductance or parasitic capacitance to generate noise or degrade the power-supply performance. To help eliminate these problems, the VIN pin should be bypassed to ground with a low-ESR ceramic bypass capacitor with X5R or X7R dielectric. Care should be taken to minimize the loop area formed by the bypass capacitor connections, the VIN pin, and the anode of the catch diode. See [Figure 54](#) for a PCB layout example. The GND pin should be tied directly to the thermal pad under the IC.

The thermal pad should be connected to any internal PCB ground planes using multiple vias directly under the IC. The PH pin should be routed to the cathode of the catch diode and to the output inductor. Because the PH connection is the switching node, the catch diode and output inductor should be located close to the PH pins, and the area of the PCB conductor minimized to prevent excessive capacitive coupling. For operation at full rated load, the top-side ground area must provide adequate heat dissipating area. The RT/CLK pin is sensitive to noise, so the RT resistor should be located as close as possible to the IC and routed with minimal lengths of trace. The additional external components can be placed approximately as shown. It may be possible to obtain acceptable performance with alternate PCB layouts; however, this layout has been shown to produce good results and is meant as a guideline.

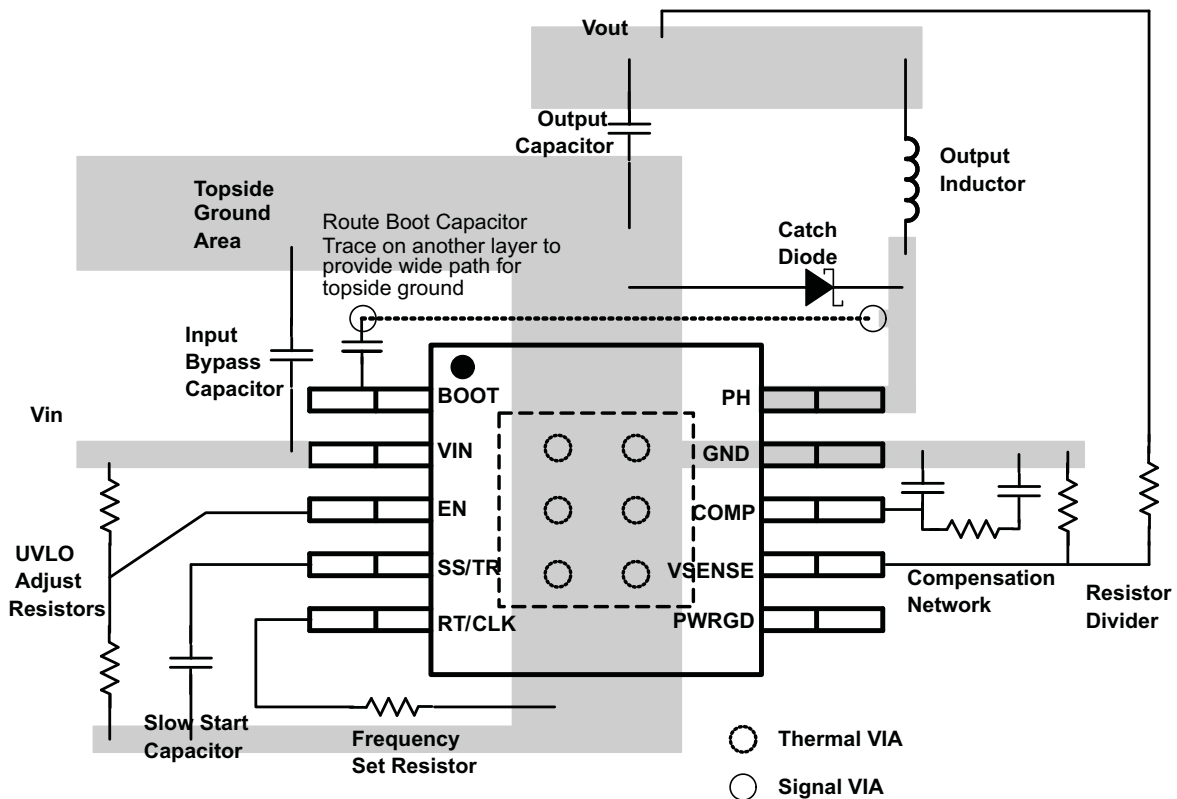


Figure 54. PCB Layout Example

### Estimated Circuit Area

The estimated printed circuit board area for the components used in the design of [Figure 40](#) is 0.55 in<sup>2</sup> (3.55 cm<sup>2</sup>). This area does not include test points or connectors.

**PACKAGING INFORMATION**

| Orderable Device | Status <sup>(1)</sup> | Package Type      | Package Drawing | Pins | Package Qty | Eco Plan <sup>(2)</sup>    | Lead/<br>Ball Finish | MSL Peak Temp <sup>(3)</sup> | Samples<br>(Requires Login) |
|------------------|-----------------------|-------------------|-----------------|------|-------------|----------------------------|----------------------|------------------------------|-----------------------------|
| TPS5401DGQ       | ACTIVE                | MSOP-<br>PowerPAD | DGQ             | 10   | 80          | Green (RoHS<br>& no Sb/Br) | CU NIPDAU            | Level-1-260C-UNLIM           |                             |
| TPS5401DGQR      | ACTIVE                | MSOP-<br>PowerPAD | DGQ             | 10   | 2500        | Green (RoHS<br>& no Sb/Br) | CU NIPDAU            | Level-1-260C-UNLIM           |                             |
| TPS5401DGQT      | ACTIVE                | MSOP-<br>PowerPAD | DGQ             | 10   | 250         | Green (RoHS<br>& no Sb/Br) | CU NIPDAU            | Level-1-260C-UNLIM           |                             |

<sup>(1)</sup> The marketing status values are defined as follows:

**ACTIVE:** Product device recommended for new designs.

**LIFEBUY:** TI has announced that the device will be discontinued, and a lifetime-buy period is in effect.

**NRND:** Not recommended for new designs. Device is in production to support existing customers, but TI does not recommend using this part in a new design.

**PREVIEW:** Device has been announced but is not in production. Samples may or may not be available.

**OBsolete:** TI has discontinued the production of the device.

<sup>(2)</sup> Eco Plan - The planned eco-friendly classification: Pb-Free (RoHS), Pb-Free (RoHS Exempt), or Green (RoHS & no Sb/Br) - please check <http://www.ti.com/productcontent> for the latest availability information and additional product content details.

**TBD:** The Pb-Free/Green conversion plan has not been defined.

**Pb-Free (RoHS):** TI's terms "Lead-Free" or "Pb-Free" mean semiconductor products that are compatible with the current RoHS requirements for all 6 substances, including the requirement that lead not exceed 0.1% by weight in homogeneous materials. Where designed to be soldered at high temperatures, TI Pb-Free products are suitable for use in specified lead-free processes.

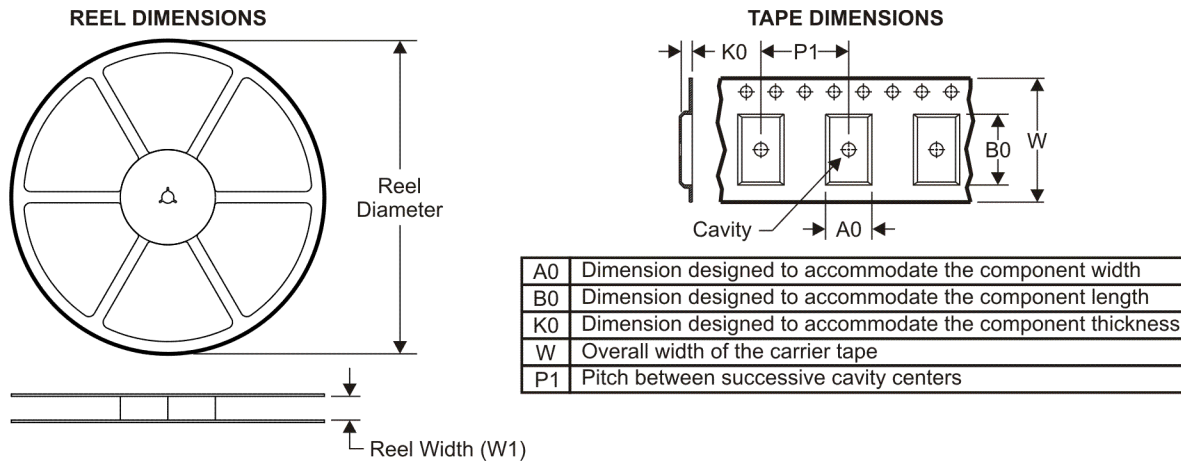
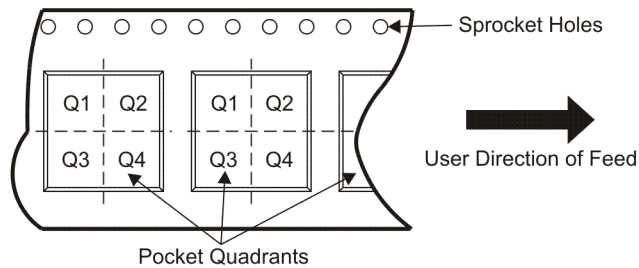
**Pb-Free (RoHS Exempt):** This component has a RoHS exemption for either 1) lead-based flip-chip solder bumps used between the die and package, or 2) lead-based die adhesive used between the die and leadframe. The component is otherwise considered Pb-Free (RoHS compatible) as defined above.

**Green (RoHS & no Sb/Br):** TI defines "Green" to mean Pb-Free (RoHS compatible), and free of Bromine (Br) and Antimony (Sb) based flame retardants (Br or Sb do not exceed 0.1% by weight in homogeneous material)

<sup>(3)</sup> MSL, Peak Temp. -- The Moisture Sensitivity Level rating according to the JEDEC industry standard classifications, and peak solder temperature.

**Important Information and Disclaimer:** The information provided on this page represents TI's knowledge and belief as of the date that it is provided. TI bases its knowledge and belief on information provided by third parties, and makes no representation or warranty as to the accuracy of such information. Efforts are underway to better integrate information from third parties. TI has taken and continues to take reasonable steps to provide representative and accurate information but may not have conducted destructive testing or chemical analysis on incoming materials and chemicals. TI and TI suppliers consider certain information to be proprietary, and thus CAS numbers and other limited information may not be available for release.

In no event shall TI's liability arising out of such information exceed the total purchase price of the TI part(s) at issue in this document sold by TI to Customer on an annual basis.

**TAPE AND REEL INFORMATION**

**QUADRANT ASSIGNMENTS FOR PIN 1 ORIENTATION IN TAPE**


\*All dimensions are nominal

| Device      | Package Type   | Package Drawing | Pins | SPQ | Reel Diameter (mm) | Reel Width W1 (mm) | A0 (mm) | B0 (mm) | K0 (mm) | P1 (mm) | W (mm) | Pin1 Quadrant |
|-------------|----------------|-----------------|------|-----|--------------------|--------------------|---------|---------|---------|---------|--------|---------------|
| TPS5401DGQT | MSOP-Power PAD | DGQ             | 10   | 250 | 180.0              | 12.4               | 5.3     | 3.3     | 1.3     | 8.0     | 12.0   | Q1            |

TAPE AND REEL BOX DIMENSIONS

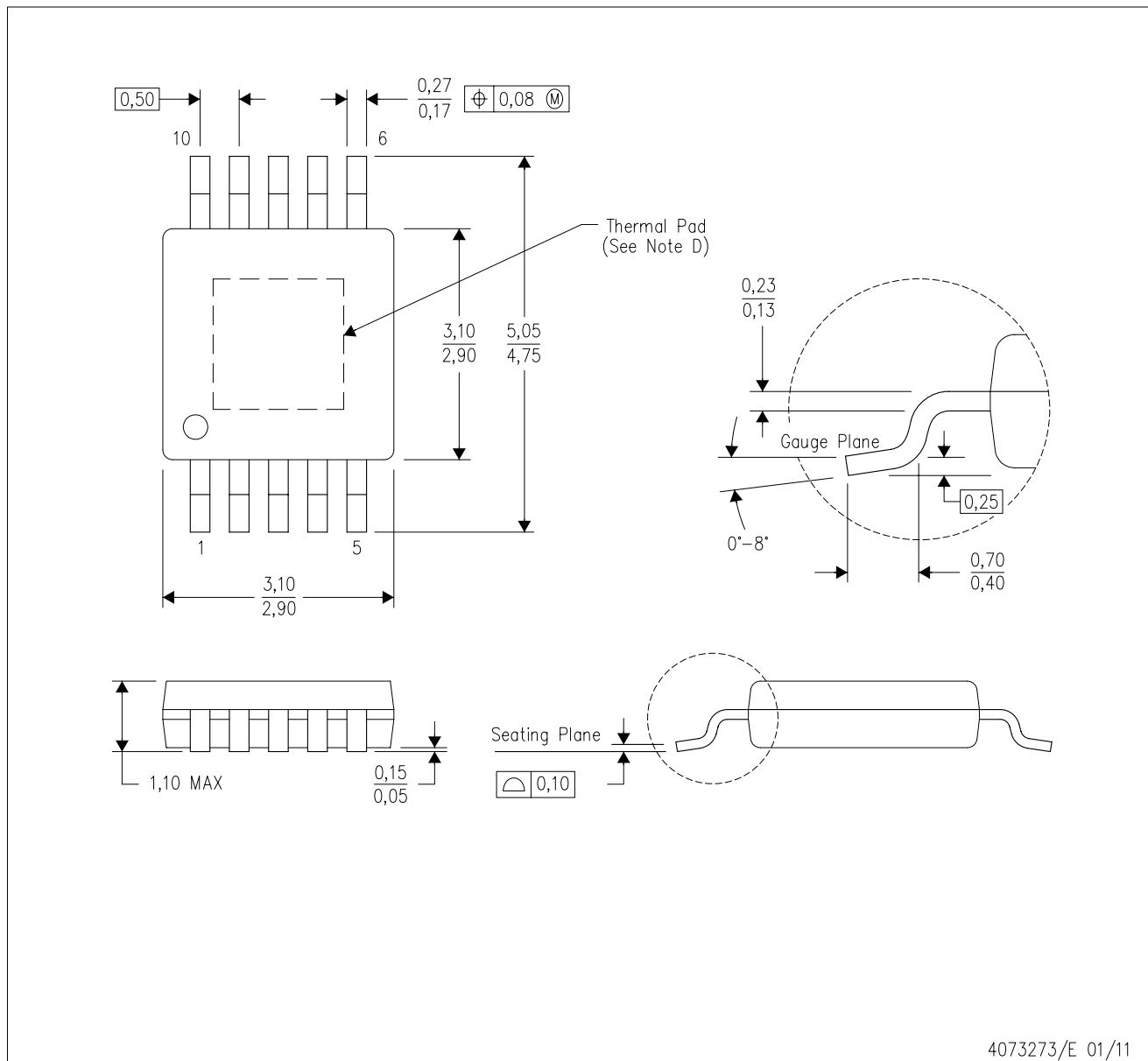


\*All dimensions are nominal

| Device      | Package Type  | Package Drawing | Pins | SPQ | Length (mm) | Width (mm) | Height (mm) |
|-------------|---------------|-----------------|------|-----|-------------|------------|-------------|
| TPS5401DGQT | MSOP-PowerPAD | DGQ             | 10   | 250 | 203.0       | 203.0      | 35.0        |

DGQ (S-PDSO-G10)

PowerPAD™ PLASTIC SMALL OUTLINE



- NOTES:
- A. All linear dimensions are in millimeters.
  - B. This drawing is subject to change without notice.
  - C. Body dimensions do not include mold flash or protrusion not to exceed 0,15.
  - D. This package is designed to be soldered to a thermal pad on the board. Refer to Technical Brief, PowerPad Thermally Enhanced Package, Texas Instruments Literature No. SLMA002 for information regarding recommended board layout. This document is available at [www.ti.com](http://www.ti.com) <<http://www.ti.com>>.
  - E. Falls within JEDEC MO-187 variation BA-T.

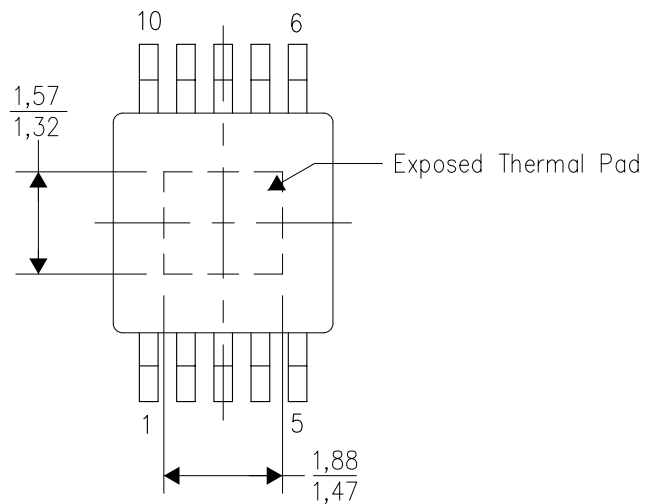
PowerPAD is a trademark of Texas Instruments.

## THERMAL INFORMATION

This PowerPAD™ package incorporates an exposed thermal pad that is designed to be attached to a printed circuit board (PCB). The thermal pad must be soldered directly to the PCB. After soldering, the PCB can be used as a heatsink. In addition, through the use of thermal vias, the thermal pad can be attached directly to the appropriate copper plane shown in the electrical schematic for the device, or alternatively, can be attached to a special heatsink structure designed into the PCB. This design optimizes the heat transfer from the integrated circuit (IC).

For additional information on the PowerPAD package and how to take advantage of its heat dissipating abilities, refer to Technical Brief, PowerPAD Thermally Enhanced Package, Texas Instruments Literature No. SLMA002 and Application Brief, PowerPAD Made Easy, Texas Instruments Literature No. SLMA004. Both documents are available at [www.ti.com](http://www.ti.com).

The exposed thermal pad dimensions for this package are shown in the following illustration.

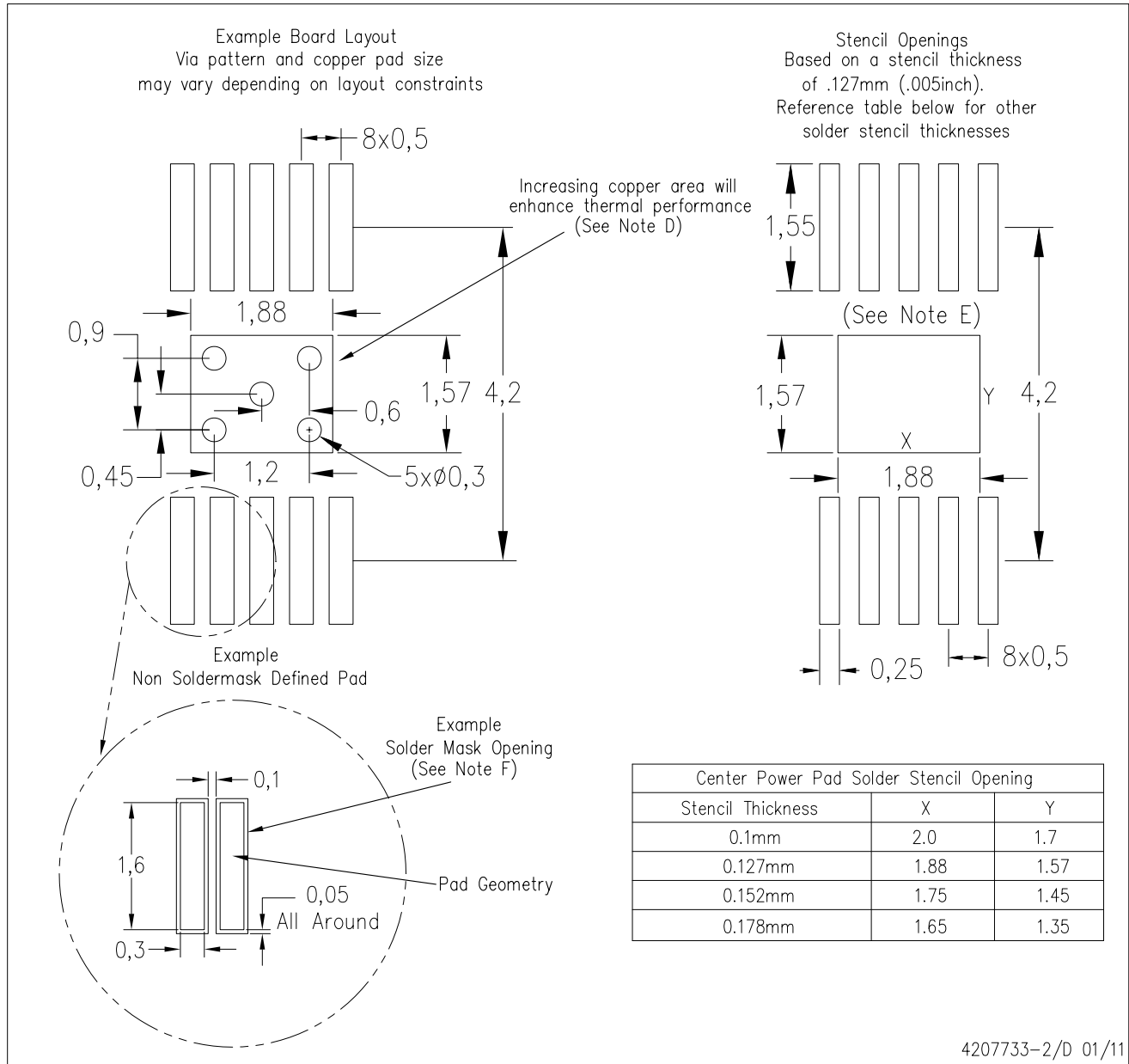


Top View

Exposed Thermal Pad Dimensions

4206324-2/F 01/11

NOTE: A. All linear dimensions are in millimeters



- NOTES:
- All linear dimensions are in millimeters.
  - This drawing is subject to change without notice.
  - Customers should place a note on the circuit board fabrication drawing not to alter the center solder mask defined pad.
  - This package is designed to be soldered to a thermal pad on the board. Refer to Technical Brief, PowerPad Thermally Enhanced Package, Texas Instruments Literature No. SLMA002, SLMA004, and also the Product Data Sheets for specific thermal information, via requirements, and recommended board layout. These documents are available at [www.ti.com](http://www.ti.com) <<http://www.ti.com>>. Publication IPC-7351 is recommended for alternate designs.
  - Laser cutting apertures with trapezoidal walls and also rounding corners will offer better paste release. Customers should contact their board assembly site for stencil design recommendations. Example stencil design based on a 50% volumetric metal load solder paste. Refer to IPC-7525 for other stencil recommendations.
  - Customers should contact their board fabrication site for solder mask tolerances between and around signal pads.

PowerPAD is a trademark of Texas Instruments

## IMPORTANT NOTICE

Texas Instruments Incorporated and its subsidiaries (TI) reserve the right to make corrections, modifications, enhancements, improvements, and other changes to its products and services at any time and to discontinue any product or service without notice. Customers should obtain the latest relevant information before placing orders and should verify that such information is current and complete. All products are sold subject to TI's terms and conditions of sale supplied at the time of order acknowledgment.

TI warrants performance of its hardware products to the specifications applicable at the time of sale in accordance with TI's standard warranty. Testing and other quality control techniques are used to the extent TI deems necessary to support this warranty. Except where mandated by government requirements, testing of all parameters of each product is not necessarily performed.

TI assumes no liability for applications assistance or customer product design. Customers are responsible for their products and applications using TI components. To minimize the risks associated with customer products and applications, customers should provide adequate design and operating safeguards.

TI does not warrant or represent that any license, either express or implied, is granted under any TI patent right, copyright, mask work right, or other TI intellectual property right relating to any combination, machine, or process in which TI products or services are used. Information published by TI regarding third-party products or services does not constitute a license from TI to use such products or services or a warranty or endorsement thereof. Use of such information may require a license from a third party under the patents or other intellectual property of the third party, or a license from TI under the patents or other intellectual property of TI.

Reproduction of TI information in TI data books or data sheets is permissible only if reproduction is without alteration and is accompanied by all associated warranties, conditions, limitations, and notices. Reproduction of this information with alteration is an unfair and deceptive business practice. TI is not responsible or liable for such altered documentation. Information of third parties may be subject to additional restrictions.

Resale of TI products or services with statements different from or beyond the parameters stated by TI for that product or service voids all express and any implied warranties for the associated TI product or service and is an unfair and deceptive business practice. TI is not responsible or liable for any such statements.

TI products are not authorized for use in safety-critical applications (such as life support) where a failure of the TI product would reasonably be expected to cause severe personal injury or death, unless officers of the parties have executed an agreement specifically governing such use. Buyers represent that they have all necessary expertise in the safety and regulatory ramifications of their applications, and acknowledge and agree that they are solely responsible for all legal, regulatory and safety-related requirements concerning their products and any use of TI products in such safety-critical applications, notwithstanding any applications-related information or support that may be provided by TI. Further, Buyers must fully indemnify TI and its representatives against any damages arising out of the use of TI products in such safety-critical applications.

TI products are neither designed nor intended for use in military/aerospace applications or environments unless the TI products are specifically designated by TI as military-grade or "enhanced plastic." Only products designated by TI as military-grade meet military specifications. Buyers acknowledge and agree that any such use of TI products which TI has not designated as military-grade is solely at the Buyer's risk, and that they are solely responsible for compliance with all legal and regulatory requirements in connection with such use.

TI products are neither designed nor intended for use in automotive applications or environments unless the specific TI products are designated by TI as compliant with ISO/TS 16949 requirements. Buyers acknowledge and agree that, if they use any non-designated products in automotive applications, TI will not be responsible for any failure to meet such requirements.

Following are URLs where you can obtain information on other Texas Instruments products and application solutions:

### Products

|                             |  |
|-----------------------------|--|
| Audio                       | <a href="http://www.ti.com/audio">www.ti.com/audio</a>             |
| Amplifiers                  | <a href="http://amplifier.ti.com">amplifier.ti.com</a>             |
| Data Converters             | <a href="http://dataconverter.ti.com">dataconverter.ti.com</a>     |
| DLP® Products               | <a href="http://www.dlp.com">www.dlp.com</a>                       |
| DSP                         | <a href="http://dsp.ti.com">dsp.ti.com</a>                         |
| Clocks and Timers           | <a href="http://www.ti.com/clocks">www.ti.com/clocks</a>           |
| Interface                   | <a href="http://interface.ti.com">interface.ti.com</a>             |
| Logic                       | <a href="http://logic.ti.com">logic.ti.com</a>                     |
| Power Mgmt                  | <a href="http://power.ti.com">power.ti.com</a>                     |
| Microcontrollers            | <a href="http://microcontroller.ti.com">microcontroller.ti.com</a> |
| RFID                        | <a href="http://www.ti-rfid.com">www.ti-rfid.com</a>               |
| RF/IF and ZigBee® Solutions | <a href="http://www.ti.com/lprf">www.ti.com/lprf</a>               |

### Applications

|                               |  |
|-------------------------------|--|
| Communications and Telecom    | <a href="http://www.ti.com/communications">www.ti.com/communications</a>                 |
| Computers and Peripherals     | <a href="http://www.ti.com/computers">www.ti.com/computers</a>                           |
| Consumer Electronics          | <a href="http://www.ti.com/consumer-apps">www.ti.com/consumer-apps</a>                   |
| Energy and Lighting           | <a href="http://www.ti.com/energy">www.ti.com/energy</a>                                 |
| Industrial                    | <a href="http://www.ti.com/industrial">www.ti.com/industrial</a>                         |
| Medical                       | <a href="http://www.ti.com/medical">www.ti.com/medical</a>                               |
| Security                      | <a href="http://www.ti.com/security">www.ti.com/security</a>                             |
| Space, Avionics and Defense   | <a href="http://www.ti.com/space-avionics-defense">www.ti.com/space-avionics-defense</a> |
| Transportation and Automotive | <a href="http://www.ti.com/automotive">www.ti.com/automotive</a>                         |
| Video and Imaging             | <a href="http://www.ti.com/video">www.ti.com/video</a>                                   |
| Wireless                      | <a href="http://www.ti.com/wireless-apps">www.ti.com/wireless-apps</a>                   |

TI E2E Community Home Page

[e2e.ti.com](http://e2e.ti.com)

Mailing Address: Texas Instruments, Post Office Box 655303, Dallas, Texas 75265  
Copyright © 2011, Texas Instruments Incorporated